



Technical data

Connection: Thread acc. to DIN 2999

Diameters size: 1/4" up to 2"

Pressure range: PN63 (1000 WOG)

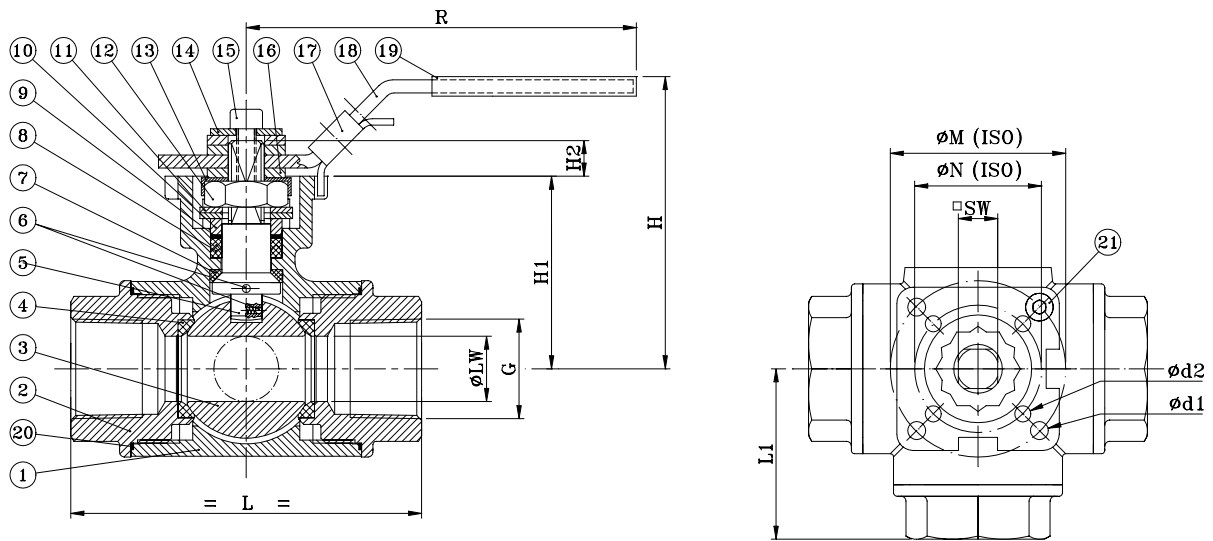
Temperature range: -50°C up to +180°C
(depending from working pressure)

Application: Chemical, Refinery, Shipbuilding, Plant engineering
for media: Water, Oils, Fuels, Compressed air, Solvents etc.

Design features:

- Reduce bore
- 4 ball seats
- Direct mounting pad acc. to ISO 5211
- Antistatic device
- Double bearing and bearing
- Lock device
- ♦ Thread acc. to NPT (optional)

☞ **More information on your inquiry!**



Dimensions in mm

Pos.	Benennung	Description	Materials	Piese
1	Gehäuse	Body	A351-CF8M	1
2	Muffe	End cap	A351-CF8M	3
3	Kugel	Ball	A351-CF8M	1
4	Sitzdichtung	Ball seat	PTFE	4
5	Schaltwelle	Stem	316	1
6	Antistatik System	Antistatic device	304	2
7	Schaltwellensitzring	Stem seal-ring	PTFE	1
8	Schaltwellendichtung (Packung)	V-ring packing	PTFE	1
9	Lagerbuchse	Bushing	50%SS + 50%PTFE	1Set
10	Vorspannring	Gland	304	1
11	Tellerfeder	Spring washer	301	2
12	Schaltwellenmutter	Stem nut	304 (A193-8)	1
13	Sicherungsscheibe	Stop-lock-cap	304	1
14/15/16	Scheibe/Schraube/Scheibe	Washer/Nut/Washer	304/304/304	1/1/3
17	Abschließvorrichtung	Lock device	304	1
18/19	Hanhebel/Überzug	Handle/Sleeve	304/Vinyl plastic	1/1
20	Gehäusedichtung	Body gasket	PTFE	2
21	Anschlag	Stop bolt	304 (A193-B8)	1

G	DN	ØLW	L	L1	H	H1	H2	R	ØM(ISO)	ØN(ISO)	Ød1	Ød2	□SW	Nm	PN	Kg
1/4"	8	9,5	79	39,5	70	42,0	7	160	42(F04)	36(F03)	6,0	6,0	9	13	63	0,80
3/8"	10	11	79	39,5	70	42,0	7	160	42(F04)	36(F03)	6,0	6,0	9	16	63	0,80
1/2"	15	11	79	39,5	70	42,0	7	160	42(F04)	36(F03)	6,0	6,0	9	20	63	0,80
3/4"	20	15	88	44,0	77	49,0	7	160	42(F04)	36(F03)	6,0	6,0	9	25	63	1,22
1"	25	20	108	54,0	87	59,0	9	175	50(F05)	42(F04)	7,0	6,0	11	28	63	1,72
1 1/4"	32	25	124	62,0	93	65,0	9	175	50(F05)	42(F04)	7,0	6,0	11	33	63	2,83
1 1/2"	40	32	135	67,0	103	73,2	12	245	70(F07)	50(F05)	9,0	7,0	14	40	63	3,86
2"	50	40	164	82,0	113	82,5	12	245	70(F07)	50(F05)	9,0	7,0	14	50	63	6,85