



**Technical data**

**Connection:** Thread acc. to ISO 228/1

**Diameters size:** 1/2" up to 2"

**Pressure range:** PN 63 (1000 WOG)

**Temperature range:** Ambience -20°C up to +80°C

medium -50°C up to +120°C (depending from working pressure)

**Application:** Chemical-, Refinery industry, Plant engineering etc.

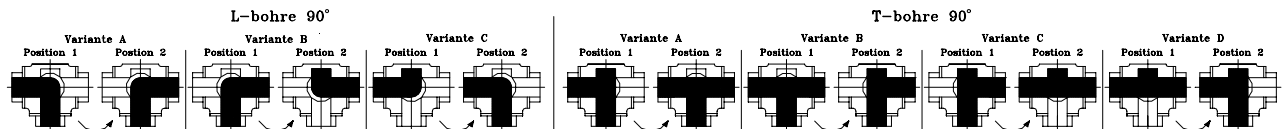
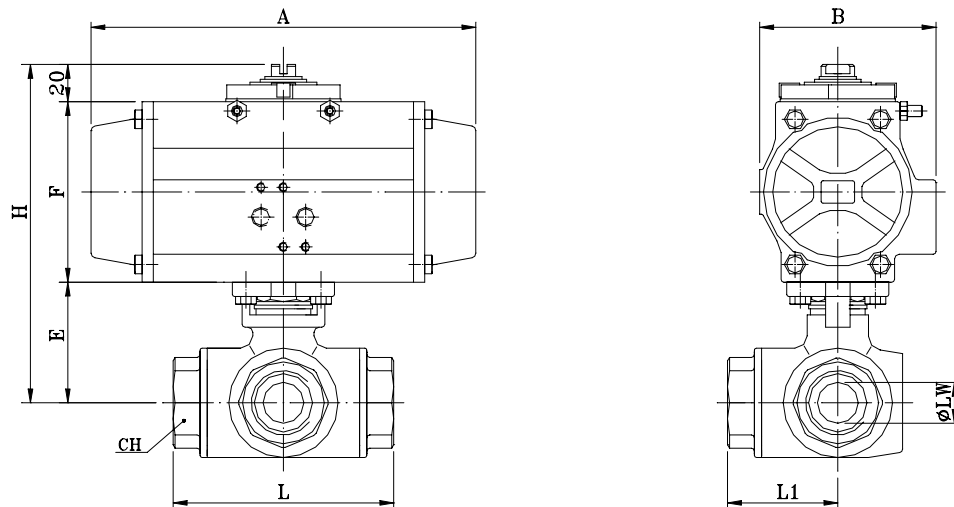
**Operating method:** Pneumatic, double- or single-acting, open or closed with spring force

**Air pressure:** 2-10 bar

**Control medium:** Compressed air or inert gases

**Pneumatic control:** 3/2- or 5/2- way control valve, direct-mounting or separate

 **More information on your inquiry!**



Dimensions in mm

G	øLW	L	L1	E	CH	Actuator*	H	F	A	B	Kg
1/4"	9,5	79	39,5	42	27	DA-52	132,0	70	140	71	2,0
						SR-52	132,0	70	140	71	2,2
3/8"	11	79	39,5	42	27	DA-52	132,0	70	140	71	2,0
						SR-63	143,0	81	162	81	2,7
1/2"	11	79	39,5	42	27	DA-52	132,0	70	140	71	2,0
						SR-63	143,0	81	162	81	2,7
3/4"	15	88	44,0	49	27	DA-63	150,0	81	162	81	2,9
						SR-75	166,0	97	207	95	4,6
1"	20	108	54,0	59	41	DA-63	160,0	81	162	81	3,4
						SR-75	176,0	97	207	95	5,1
1 1/4"	25	124	62,0	65	50	DA-63	166,0	81	162	81	4,5
						SR-75	182,0	97	207	95	6,2
1 1/2"	32	135	67,0	73,2	55	DA-75	190,2	97	207	95	6,6
						SR-85	202,2	109	238	106	8,3
2"	40	164	82,0	82,5	70	DA-75	199,5	97	207	95	9,6
						SR-85	211,5	109	238	106	10,3

\*Dimensioning: Water 20°C / 6bar, control pressure 6bar. Actuator dimensioning change according to the medium and operating conditions!