



### Technical data

**Connection:** Thread acc. to DIN/ISO 228

**Diameters size:** DN4 up to DN 50 (G1/8" up to G2")

**Pressure range:** PN400 up to PN350

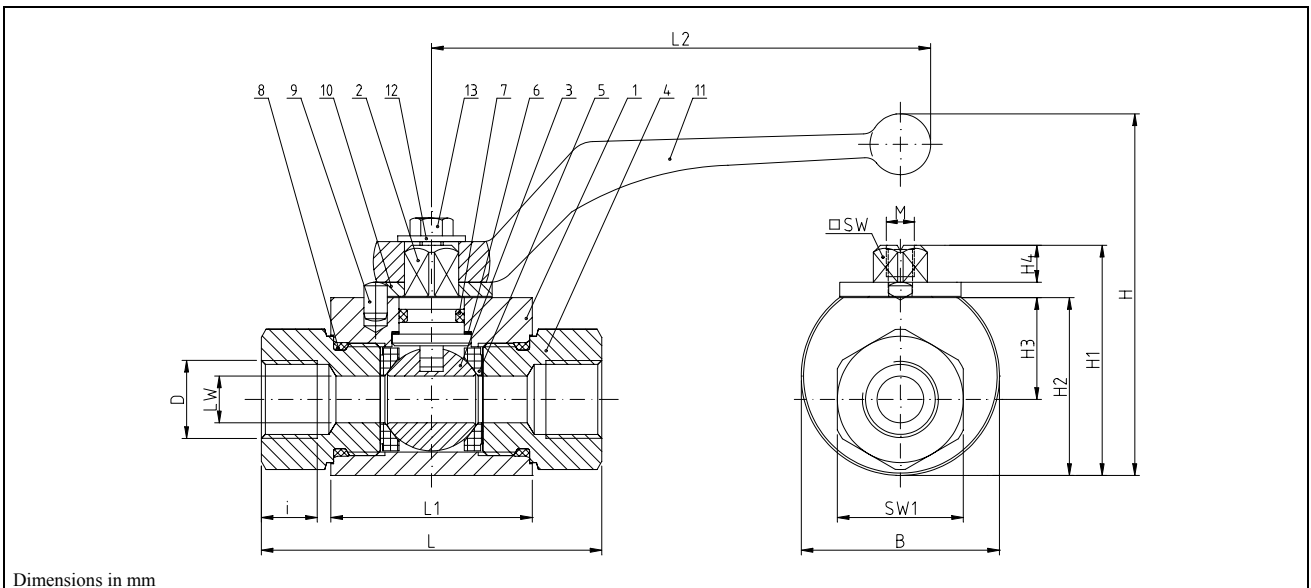
**Temperature range:** -20°C up to +100°C (optional max. 220°C)  
(depending from working pressure)

**Application:** Chemical, Offshore, Paint- and Water industry  
for media: Oils, Gases, Water, Compressed air etc.

### Design features:

- Maintenance free • Anti-blow out stem
- Low pressure and vacuum usable
- ◆ Bore for automation, Automatic closing device (optional)

📄 **More information on your inquiry!**



Dimensions in mm

| Pos. | Benennung            | Description | Materials Standard (Hydraulic)         | Materials (korrosive fluids PN100)     | Piece |
|------|----------------------|-------------|--|--|-------|
| 1    | Gehäuse              | Body        | Stainless steel 1.4571/316Ti           | Stainless steel 1.4571/316Ti           | 1     |
| 2    | Schaltwelle          | Stem        | Stainless steel 1.4571/316Ti           | Stainless steel 1.4571/316Ti           | 1     |
| 3    | Kugel                | Ball        | Stainless steel 1.4571/316Ti           | Stainless steel 1.4571/316Ti           | 1     |
| 4    | Anschlußstutzen      | Adapter     | Stainless steel 1.4571/316Ti           | Stainless steel 1.4571/316Ti           | 2     |
| 5    | Kugeldichtung        | Ball seat   | POM (Delrin)                           | PTFE                                   | 2     |
| 6    | Laufring             | Thrust ring | PTFE                                   | PTFE                                   | 1     |
| 7    | Schaltwellendichtung | Stem o-ring | NBR                                    | Viton                                  | 1     |
| 8    | Gehäusedichtung      | Body o-ring | NBR                                    | Viton                                  | 2     |
| 9    | Anschlagsift         | Stop        | Stainless steel 1.4571/316Ti           | Stainless steel 1.4571/316Ti           | 1     |
| 10   | Anschlagscheibe      | Stop washer | Stainless steel                        | Stainless steel                        | 1     |
| 11   | Handhebel            | Handle      | Zinc (steel, stainless steel optional) | Zinc (steel, stainless steel optional) | 1     |
| 12   | Scheibe              | Washer      | Stainless steel                        | Stainless steel                        | 1     |
| 13   | Schraube             | Screws      | Stainless steel 8.8                    | Stainless steel 8.8                    | 1     |

| DN | LW | D        | i  | L   | L1  | L2  | B   | H     | H1   | H2  | H3   | H4   | □SW | SW1 | M  | PN  | Kg   |
|----|----|----------|----|-----|-----|-----|-----|-------|------|-----|------|------|-----|-----|----|-----|------|
| 4  | 5  | G 1/8"   | 9  | 69  | 36  | 107 | 35  | 71,5  | 43,5 | 32  | 19   | 8    | 9   | 22  | M5 | 400 | 0,35 |
| 6  | 6  | G 1/4"   | 12 | 69  | 36  | 107 | 35  | 71,5  | 43,5 | 32  | 19   | 8    | 9   | 22  | M5 | 400 | 0,35 |
| 10 | 8  | G 3/8"   | 12 | 69  | 43  | 107 | 42  | 77,5  | 49,5 | 38  | 21,5 | 8    | 9   | 22  | M5 | 400 | 0,35 |
| 10 | 10 | G 3/8"   | 12 | 73  | 43  | 107 | 42  | 77,5  | 49,5 | 38  | 21,5 | 8    | 9   | 27  | M5 | 400 | 0,50 |
| 13 | 13 | G 1/2"   | 14 | 85  | 48  | 107 | 45  | 80    | 52   | 40  | 22   | 8    | 9   | 30  | M5 | 400 | 0,65 |
| 16 | 15 | G 1/2"   | 14 | 84  | 48  | 165 | 50  | 115   | 62   | 46  | 27   | 12   | 12  | 32  | M6 | 400 | 0,75 |
| 20 | 20 | G 3/4"   | 17 | 96  | 62  | 165 | 60  | 126   | 74   | 57  | 31,5 | 12   | 14  | 41  | M6 | 400 | 1,50 |
| 25 | 24 | G 1"     | 19 | 113 | 66  | 165 | 65  | 129   | 79   | 63  | 35   | 12   | 14  | 46  | M6 | 400 | 2,00 |
| 32 | 24 | G 1 1/4" | 20 | 121 | 81  | 211 | 90  | 145,5 | 104  | 84  | 46   | 13,5 | 17  | 50  | M8 | 350 | 2,10 |
| 40 | 24 | G 1 1/2" | 24 | 124 | 85  | 211 | 83  | 152,5 | 111  | 92  | 50,5 | 13,5 | 17  | 55  | M8 | 350 | 2,10 |
| 32 | 32 | G 1 1/4" | 20 | 110 | 81  | 211 | 90  | 145,2 | 104  | 84  | 46   | 13,5 | 17  | 60  | M8 | 350 | 3,80 |
| 40 | 32 | G 1 1/2" | 24 | 135 | 85  | 211 | 83  | 152,5 | 111  | 92  | 50,5 | 13,5 | 17  | 60  | M8 | 350 | 3,80 |
| 40 | 38 | G 1 1/2" | 22 | 120 | 85  | 211 | 83  | 152,5 | 111  | 92  | 50,5 | 13,5 | 17  | 70  | M8 | 350 | 6,10 |
| 50 | 38 | G 2"     | 26 | 147 | 100 | 211 | 100 | 176,5 | 130  | 111 | 61   | 13,5 | 19  | 75  | M8 | 350 | 6,10 |
| 50 | 48 | G 2"     | 28 | 140 | 100 | 211 | 100 | 176,5 | 130  | 111 | 61   | 13,5 | 19  | 85  | M8 | 350 | 9,10 |



### Technical data

**Connection:** Thread acc. to DIN/ISO 228

**Diameters size:** DN4 up to DN40 (M12 up to M52)

**Pressure range:** PN500 up to PN350

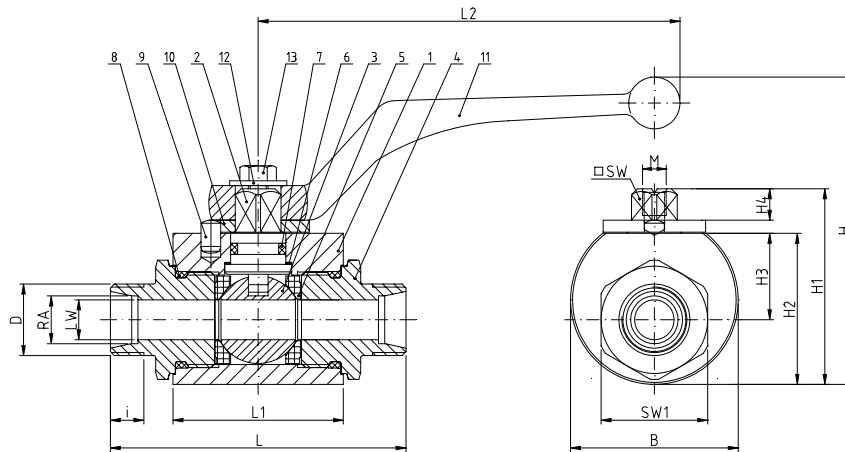
**Temperature range:** -20°C up to +100°C (optional max. 220°C)  
(depending from working pressure)

**Application:** Chemical, Offshore, Paint- and Water industry  
for media: Oils, Gases, Water, Compressed air etc.

### Design features:

- Maintenance free • Anti-blow out stem
- Low pressure and vacuum usable
- ♦ Bore for automation, Automatic closing device (optional)

➔ **More information on your inquiry!**



Dimensions in mm

| Pos. | Benennung            | Description | Materials Standard (Hydraulic)         | Materials (korrosive fluids)           | Piece |
|------|----------------------|-------------|--|--|-------|
| 1    | Gehäuse              | Body        | Stainless steel 1.4571/316Ti           | Stainless steel 1.4571/316Ti           | 1     |
| 2    | Schaltwelle          | Stem        | Stainless steel 1.4571/316Ti           | Stainless steel 1.4571/316Ti           | 1     |
| 3    | Kugel                | Ball        | Stainless steel 1.4571/316Ti           | Stainless steel 1.4571/316Ti           | 1     |
| 4    | Anschlußstutzen      | Adapter     | Stainless steel 1.4571/316Ti           | Stainless steel 1.4571/316Ti           | 2     |
| 5    | Kugeldichtung        | Ball seat   | POM (Delrin)                           | PTFE                                   | 2     |
| 6    | Lauftring            | Thrust ring | PTFE                                   | PTFE                                   | 1     |
| 7    | Schaltwellendichtung | Stem o-ring | NBR                                    | Viton                                  | 1     |
| 8    | Gehäusedichtung      | Body o-ring | NBR                                    | Viton                                  | 2     |
| 9    | Anschlagsift         | Stop        | Stainless steel 1.4571/316Ti           | Stainless steel 1.4571/316Ti           | 1     |
| 10   | Anschlagscheibe      | Stop washer | Stainless steel                        | Stainless steel                        | 1     |
| 11   | Handhebel            | Handle      | Zinc (steel, stainless steel optional) | Zinc (steel, stainless steel optional) | 1     |
| 12   | Scheibe              | Washer      | Stainless steel                        | Stainless steel                        | 1     |
| 13   | Schraube             | Screws      | Stainless steel 8.8                    | Stainless steel 8.8                    | 1     |

| DN | LW | D       | RA | i  | L   | L1 | L2  | B  | H     | H1   | H2 | H3   | H4   | □SW | SW1 | M  | PN  | Kg   |
|----|----|---------|----|----|-----|----|-----|----|-------|------|----|------|------|-----|-----|----|-----|------|
| 4  | 5  | M12x1,5 | 6  | 7  | 67  | 36 | 107 | 35 | 71,5  | 43,5 | 32 | 19   | 8    | 9   | 22  | M5 | 400 | 0,30 |
| 6  | 6  | M14x1,5 | 8  | 7  | 67  | 36 | 107 | 35 | 71,5  | 43,5 | 32 | 19   | 8    | 9   | 22  | M5 | 400 | 0,30 |
| 8  | 8  | M16x1,5 | 10 | 8  | 71  | 36 | 107 | 35 | 71,5  | 43,5 | 32 | 19   | 8    | 9   | 22  | M5 | 400 | 0,30 |
| 10 | 8  | M18x1,5 | 12 | 8  | 71  | 43 | 107 | 42 | 77,5  | 49,5 | 33 | 21,5 | 8    | 9   | 22  | M5 | 400 | 0,30 |
| 10 | 10 | M18x1,5 | 12 | 8  | 75  | 43 | 107 | 42 | 77,5  | 49,5 | 33 | 21,5 | 8    | 9   | 27  | M5 | 400 | 0,50 |
| 13 | 10 | M22x1,5 | 15 | 9  | 77  | 48 | 107 | 45 | 80    | 52   | 40 | 22   | 8    | 9   | 27  | M5 | 400 | 0,50 |
| 13 | 13 | M22x1,5 | 15 | 9  | 84  | 48 | 107 | 45 | 80    | 52   | 40 | 22   | 8    | 9   | 30  | M5 | 400 | 0,60 |
| 16 | 13 | M26x1,5 | 18 | 9  | 84  | 48 | 165 | 50 | 115   | 62   | 46 | 27   | 12   | 12  | 30  | M6 | 400 | 0,60 |
| 16 | 13 | M22x1,5 | 15 | 9  | 83  | 48 | 165 | 50 | 115   | 62   | 46 | 27   | 12   | 12  | 32  | M6 | 400 | 0,75 |
| 16 | 15 | M26x1,5 | 18 | 9  | 83  | 48 | 165 | 50 | 115   | 62   | 46 | 27   | 12   | 12  | 32  | M6 | 400 | 0,75 |
| 20 | 20 | M30x2,0 | 22 | 11 | 102 | 62 | 165 | 60 | 127   | 74   | 57 | 31,5 | 12   | 14  | 41  | M6 | 400 | 1,50 |
| 25 | 24 | M36x2,0 | 28 | 11 | 108 | 66 | 165 | 65 | 132   | 79   | 63 | 35   | 12   | 14  | 46  | M6 | 400 | 2,00 |
| 32 | 24 | M45x2,0 | 35 | 13 | 114 | 81 | 211 | 90 | 145,5 | 104  | 84 | 46   | 13,5 | 17  | 50  | M8 | 350 | 2,10 |
| 40 | 24 | M52x2,0 | 42 | 13 | 114 | 85 | 211 | 83 | 152,5 | 111  | 92 | 50,5 | 13,5 | 17  | 55  | M8 | 350 | 2,20 |
| 32 | 32 | M45x2,0 | 35 | 13 | 128 | 81 | 211 | 90 | 145,5 | 104  | 84 | 46   | 13,5 | 17  | 60  | M8 | 350 | 3,60 |
| 40 | 32 | M52x2,0 | 42 | 13 | 128 | 85 | 211 | 83 | 152,5 | 111  | 92 | 50,5 | 13,5 | 17  | 60  | M8 | 350 | 3,60 |
| 40 | 38 | M52x2,0 | 42 | 13 | 133 | 85 | 211 | 83 | 152,5 | 111  | 92 | 50,5 | 13,5 | 17  | 70  | M8 | 350 | 5,90 |



### Technical data

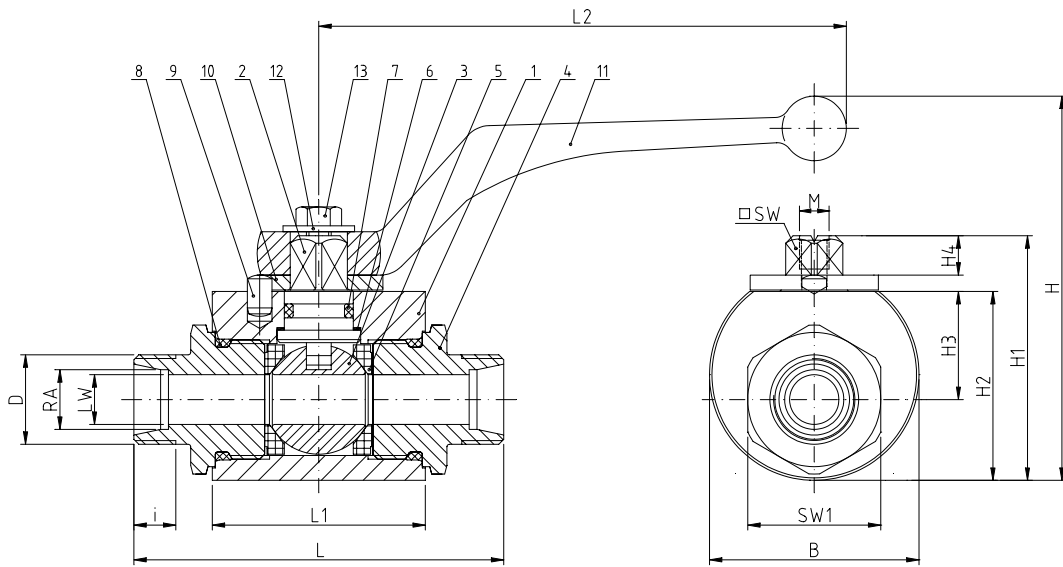
**Connection:** Thread acc. to DIN/ISO 228  
**Diameters size:** DN4 up to DN32 (M16 up to M52)  
**Pressure range:** PN400 up to PN350  
**Temperature range:** -20°C up to +100°C (optional max. 220°C)  
 (depending from working pressure)

**Application:** Chemical, Offshore, Paint- and Water industry  
 for media: Oils, Gases, Water, Compressed air etc.

### Design features:

- Maintenance free • Anti-blow out stem
- Low pressure and vacuum usable
- ♦ Bore for automation, Automatic closing device (optional)

➔ **More information on your inquiry!**



Dimensions in mm

| Pos. | Benennung            | Description | Materials Standard (Hydraulic)         | Materials (korrosive fluids)           | Piece |
|------|----------------------|-------------|--|--|-------|
| 1    | Gehäuse              | Body        | Stainless steel 1.4571/316Ti           | Stainless steel 1.4571/316Ti           | 1     |
| 2    | Schaltwelle          | Stem        | Stainless steel 1.4571/316Ti           | Stainless steel 1.4571/316Ti           | 1     |
| 3    | Kugel                | Ball        | Stainless steel 1.4571/316Ti           | Stainless steel 1.4571/316Ti           | 1     |
| 4    | Anschlußstutzen      | Adapter     | Stainless steel 1.4571/316Ti           | Stainless steel 1.4571/316Ti           | 2     |
| 5    | Kugeldichtung        | Ball seat   | POM (Delrin)                           | PTFE                                   | 2     |
| 6    | Lauftring            | Thrust ring | PTFE                                   | PTFE                                   | 1     |
| 7    | Schaltwellendichtung | Stem o-ring | NBR                                    | Viton                                  | 1     |
| 8    | Gehäusedichtung      | Body o-ring | NBR                                    | Viton                                  | 2     |
| 9    | Anschlagsift         | Stop        | Stainless steel 1.4571/316Ti           | Stainless steel 1.4571/316Ti           | 1     |
| 10   | Anschlagscheibe      | Stop washer | Stainless steel                        | Stainless steel                        | 1     |
| 11   | Handhebel            | Handle      | Zinc (steel, stainless steel optional) | Zinc (steel, stainless steel optional) | 1     |
| 12   | Scheibe              | Washer      | Stainless steel                        | Stainless steel                        | 1     |
| 13   | Schraube             | Screws      | Stainless steel 8.8                    | Stainless steel 8.8                    | 1     |

| DN | LW | D       | RA | i  | L   | L1 | L2  | B  | H     | H1   | H2 | H3   | H4   | □SW | SW1 | M  | PN  | Kg   |
|----|----|---------|----|----|-----|----|-----|----|-------|------|----|------|------|-----|-----|----|-----|------|
| 4  | 5  | M16x1,5 | 8  | 9  | 73  | 36 | 107 | 35 | 71,5  | 43,5 | 32 | 19   | 8    | 9   | 22  | M5 | 400 | 0,35 |
| 6  | 6  | M18x1,5 | 10 | 9  | 73  | 36 | 107 | 35 | 71,5  | 43,5 | 32 | 19   | 8    | 9   | 22  | M5 | 400 | 0,35 |
| 8  | 8  | M20x1,5 | 12 | 9  | 77  | 36 | 107 | 35 | 71,5  | 43,5 | 32 | 19   | 8    | 9   | 22  | M5 | 400 | 0,35 |
| 10 | 8  | M22x1,5 | 14 | 11 | 84  | 43 | 107 | 42 | 77,5  | 49,5 | 33 | 21,5 | 8    | 9   | 22  | M5 | 400 | 0,50 |
| 13 | 13 | M24x1,5 | 16 | 11 | 87  | 48 | 107 | 45 | 80    | 52   | 40 | 22   | 8    | 9   | 30  | M5 | 400 | 0,60 |
| 16 | 13 | M30x2,0 | 20 | 13 | 91  | 48 | 165 | 50 | 115   | 62   | 46 | 27   | 12   | 12  | 30  | M6 | 400 | 0,65 |
| 16 | 13 | M24x1,5 | 16 | 11 | 87  | 48 | 165 | 50 | 115   | 62   | 46 | 27   | 12   | 12  | 32  | M6 | 400 | 0,75 |
| 16 | 15 | M30x2,0 | 20 | 13 | 91  | 48 | 165 | 50 | 115   | 62   | 46 | 27   | 12   | 12  | 32  | M6 | 400 | 0,75 |
| 20 | 20 | M36x2,0 | 25 | 15 | 110 | 62 | 165 | 60 | 127   | 74   | 57 | 31,5 | 12   | 14  | 41  | M6 | 400 | 4,50 |
| 25 | 24 | M42x2,0 | 30 | 17 | 120 | 66 | 165 | 65 | 132   | 79   | 63 | 35   | 12   | 14  | 46  | M6 | 400 | 2,10 |
| 32 | 24 | M52x2,0 | 38 | 19 | 125 | 81 | 211 | 90 | 145,5 | 104  | 84 | 46   | 13,5 | 17  | 55  | M8 | 350 | 2,30 |
| 32 | 32 | M52x2,0 | 38 | 19 | 140 | 81 | 211 | 90 | 145,5 | 104  | 84 | 46   | 13,5 | 17  | 60  | M8 | 350 | 3,70 |