



Technical data

Connection: DIN-flange

Diameters size: DN25 up to DN100

Pressure range: PN16

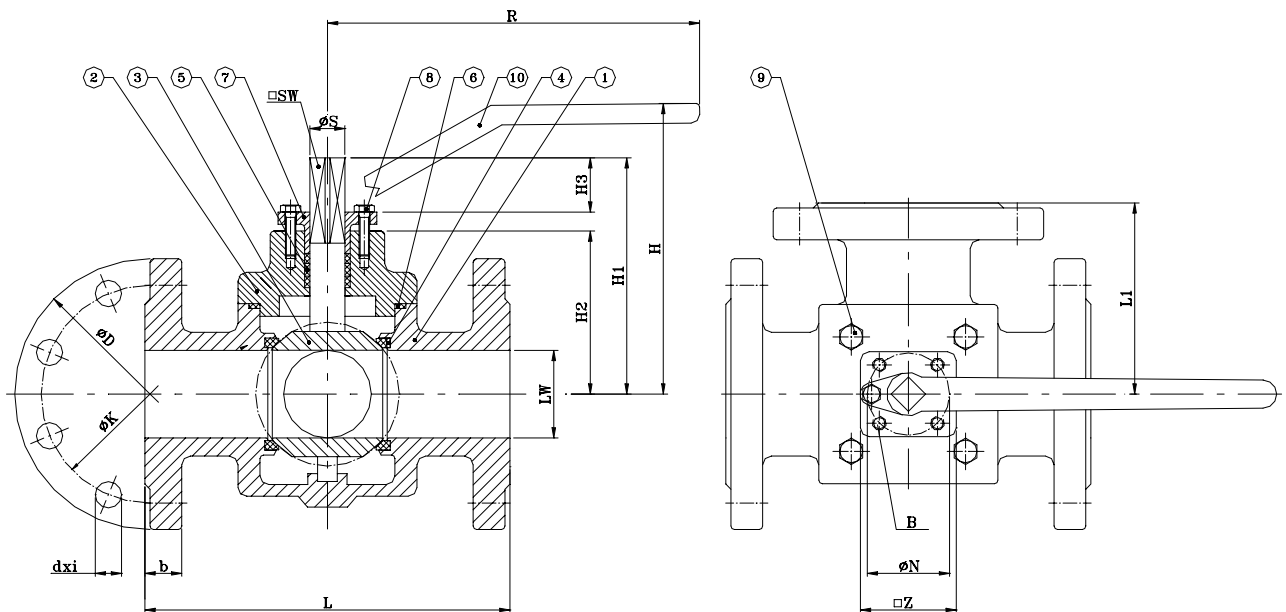
Temperature range: -10°C up to + 180°C
(depending from working pressure)

Application: Chemical, Refinery, Shipbuilding, Plant engineering
for media: Water, Oils, Fuels, Gases, Solvents etc.

Design features:

- Full bore acc. to ISO
- Ball with integrate stem
- ISO-bore for automation
- Trunnion mounting

☞ **More information on your inquiry!**



Dimensions in mm

Pos.	Benennung	Description	Materials (cast iron)	Materials (steel)	Materials (stainless steel)	Piece
1	Gehäuse	Body	GG-25	10619(GS-C25)	1.4408	1
2	Gehäusedeckel	Cover	GG-25	10619(GS-C25)	1.4408	1
3	Kugel mit Schaltwelle	Ball with stem	1.4308	1.4308	1.4408	1
4	Kugeldichtung	Seat	PTFE	PTFE	PTFE	2
5	Stopfbuchspackung	Packing	PTFE	PTFE	PTFE	1
6	Gehäusedichtung	Body seat	PTFE	PTFE	PTFE	1
7	Druckring	Gland	GG-25	10619(GS-C25)	1.4408	1
8	Schraube	Screw	8.8	8.8	A2	4
9	Schraube	Screw	8.8	8.8	A2	4
10	Handhebel	Handle	GG-25	GG-25	GG-25	1

DN	LW	L	L1	ØD	ØK	dxi	R	H	H1	H2	H3	□ Z	ØS	ØN	B	□ SW	PN	Kg
25	25	180	90	125	85	18x4	175	135	103	73	17	55	16	50F05	M6	12	16	9,5
40	39	190	95	150	110	18x4	235	135	133	83	28	70	21,5	70F07	M8	16	16	13,0
50	49	220	110	165	125	18x4	235	135	136	86	37	85	21,5	70F07	M8	18	16	17,0
65	63	250	125	185	145	18x4	340	210	146	93	37	95	25	102F10	M10	19,5	16	27,0
80	74	260	130	200	160	18x8	340	210	156	103	130	100	25	102F10	M10	19,5	16	29,0
100	100	340	170	200	180	18x8	340	210	172	122	170	100	25	102F10	M10	19,5	16	45,0