



Technical data

Connection: Thread acc. to DIN/ISO 228

Diameters size: DN4 up to DN 40 (G1/8" up to G1 1/2")

Pressure range: PN500 up to PN350

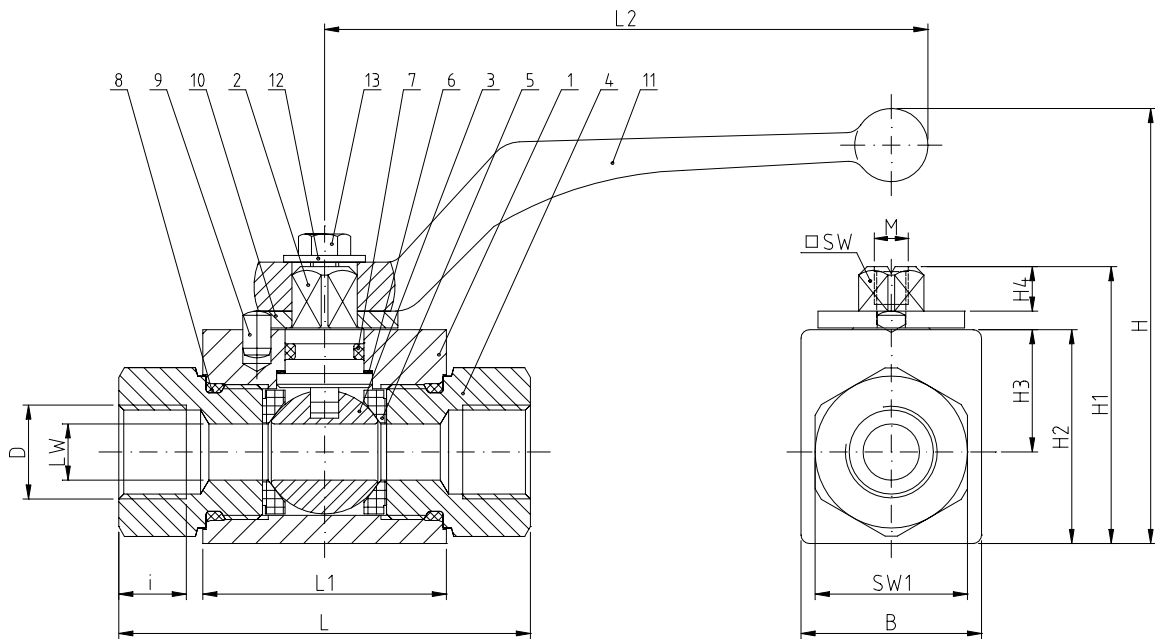
Temperature range: -20°C up to +100°C (optional max. 220°C)
(depending from working pressure)

Application: Hydraulic, Automobile-, Mining- and Paint industry
for media: Oils, Gases, Compressed air etc.

Design features:

- Maintenance free • Anti-blow out stem
- Low pressure and vacuum usable
- ♦ Bore for automation, Automatic closing device (optional)

📄 **More information on your inquiry!**



Dimensions in mm

Pos.	Benennung	Description	Material Standards (Hydraulic)	Materials (korrosive fluids)	Piece
1	Gehäuse	Body	Steel 9SMn28K	Steel 9SMn28K	1
2	Schaltwelle	Stem	Steel zinc 9SMn28K	Steel zinc 9SMn28K	1
3	Kugel	Ball	Steel nickel 9SMn28K	Steel nickel 9SMn28K	1
4	Anschlußstutzen	Adapter	Steel 9SMn28K	Steel 9SMn28K	2
5	Kugeldichtung	Ball seat	Polyamid	PTFE	2
6	Lauftring	Thrust ring	PTFE	PTFE	1
7	Schaltwellendichtung	Stem o-ring	NBR	Viton	1
8	Gehäusedichtung	Body o-ring	NBR	Viton	2
9	Anschlagsift	Stop	Steel	Steel	1
10	Anschlagscheibe	Stop washer	Steel zinc	Steel zinc	1
11	Handhebel	Handle	Zinc (steel, stainless steel optional)	Zinc (steel, stainless steel optional)	1
12	Scheibe	Washer	Steel zinc	Steel zinc	1
13	Schraube	Screws	Steel 8.8	Steel 8.8	1

DN	LW	D	i	L	L1	L2	B	H	H1	H2	H3	H4	□SW	SW1	M	PN	Kg
4	5	G 1/8"	9	69	36	107	26	71,5	43,5	32	19	8	9	22	M5	500	0,35
6	6	G 1/4"	12	69	36	107	26	71,5	43,5	32	19	8	9	22	M5	500	0,35
10	8	G 3/8"	12	69	43	107	32	77	49	38	22	8	9	22	M5	500	0,35
10	10	G 3/8"	12	73	43	107	32	77	49	38	22	8	9	27	M5	500	0,50
13	13	G 1/2"	14	85	48	107	35	79	51	40	22,5	8	9	30	M5	500	0,65
16	15	G 1/2"	14	84	48	165	38	115	62	46	27	12	12	32	M6	500	0,75
20	20	G 3/4"	17	96	62	165	49	126	73	57	32,5	12	14	41	M6	400	1,50
25	24	G 1"	19	113	66	165	60	129	76	60	33,5	12	14	46	M6	350	2,00
32	24	G 1 1/4"	20	121	66	165	60	129	76	60	33,5	12	14	50	M6	350	2,10
40	24	G 1 1/2"	24	124	66	165	60	129	76	60	33,5	12	14	55	M6	350	2,10



Technical data

Connection: Thread acc. to DIN/ISO 228

Diameters size: DN4 up to DN 40 (M12 up to M52)

Pressure range: PN500 up to PN350

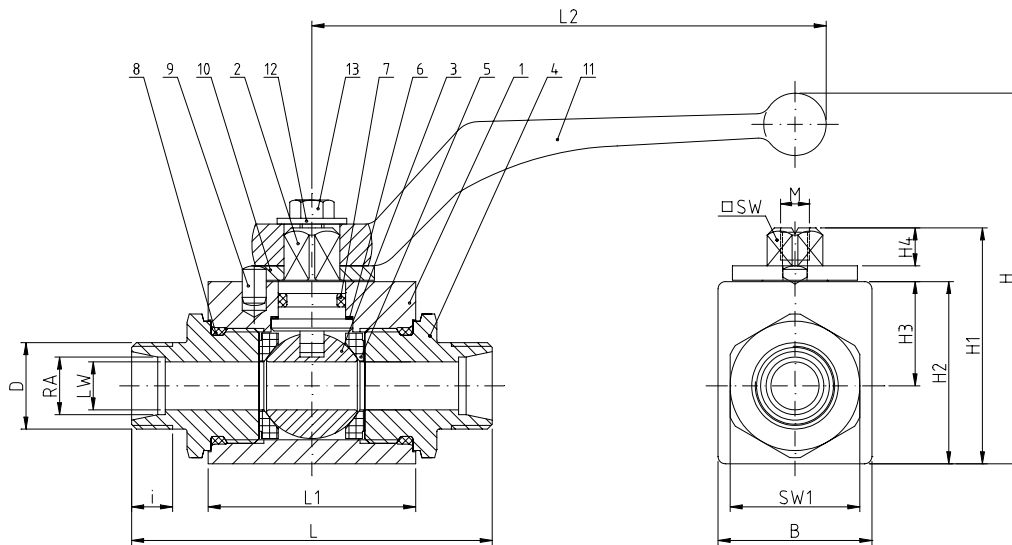
Temperature range: -20°C up to +100°C (optional max. 220°C)
(depending from working pressure)

Application: Hydraulic, Automobile-, Mining- and Paint industry
for media: Oils, Gases, Compressed air etc.

Design features:

- Maintenance free • Anti-blow out stem
- Low pressure and vacuum usable
- ♦ Bore for automation, Automatic closing device (optional)

📄 **More information on your inquiry!**



Dimension in mm

Pos.	Benennung	Description	Materials Standard (Hydraulic)	Materials (korrosive fluids)	Piece
1	Gehäuse	Body	Steel 9SMn28K	Steel 9SMn28K	1
2	Schaltwelle	Stem	Steel zinc 9SMn28K	Steel zinc 9SMn28K	1
3	Kugel	Ball	Steel nickel 9SMn28K	Steel nickel 9SMn28K	1
4	Anschlußstutzen	Adapter	Steel 9SMn28K	Steel 9SMn28K	2
5	Kugeldichtung	Ball seat	Polyamid	PTFE	2
6	Laufring	Thrust ring	PTFE	PTFE	1
7	Schaltwellendichtung	Stem o-ring	NBR	Viton	1
8	Gehäusedichtung	Body o-ring	NBR	Viton	2
9	Anschlagsift	Stop	Steel	Steel	1
10	Anschlagscheibe	Stop washer	Steel zinc.	Steel zinc.	1
11	Handhebel	Handle	Zinc (steel, stainless steel optional)	Zinc (steel, stainless steel optional)	1
12	Scheibe	Washer	Steel zinc	Steel zinc	1
13	Schraube	Screws	Steel 8.8	Steel 8.8	1

DN	LW	D	RA	i	L	L1	L2	B	H	H1	H2	H3	H4	□SW	SW1	M	PN	Kg
4	5	M12x1,5	6	7	67	36	107	26	71,5	43,5	32	19	8	9	22	M5	500	0,30
6	6	M14x1,5	8	7	67	36	107	26	71,5	43,5	32	19	8	9	22	M5	500	0,30
8	8	M16x1,5	10	8	71	36	107	26	71,5	43,5	32	19	8	9	22	M5	500	0,30
10	8	M18x1,5	12	8	71	43	107	32	77	49	38	22	8	9	27	M5	500	0,30
10	10	M18x1,5	12	8	75	43	107	32	77	49	38	22	8	9	27	M5	500	0,50
13	10	M22x1,5	15	9	77	48	107	35	79	51	40	22,5	8	9	30	M5	500	0,50
13	13	M22x1,5	15	9	84	48	107	35	79	51	40	22,5	8	9	30	M5	500	0,60
16	13	M26x1,5	18	9	84	48	165	38	115	62	46	27	12	12	32	M6	500	0,60
16	13	M22x1,5	15	9	83	48	165	38	115	62	46	27	12	12	32	M6	500	0,75
16	15	M26x1,5	18	9	83	48	165	38	115	62	46	27	12	12	32	M6	500	0,75
20	20	M30x2,0	22	11	102	62	165	49	126	73	57	32,5	12	14	41	M6	400	1,50
25	24	M36x2,0	28	11	108	66	165	60	129	76	60	33,5	12	14	46	M6	350	2,00
32	24	M45x2,0	35	13	114	66	165	60	129	76	60	33,5	12	14	50	M6	350	2,10
40	24	M52x2,0	42	13	114	66	165	60	129	76	60	33,5	12	14	50	M6	350	2,20



Technical data

Connection: Thread acc. to DIN/ISO 228

Diameters size: DN4 up to DN 40 (M12 up to M52)

Pressure range: PN500 up to PN350

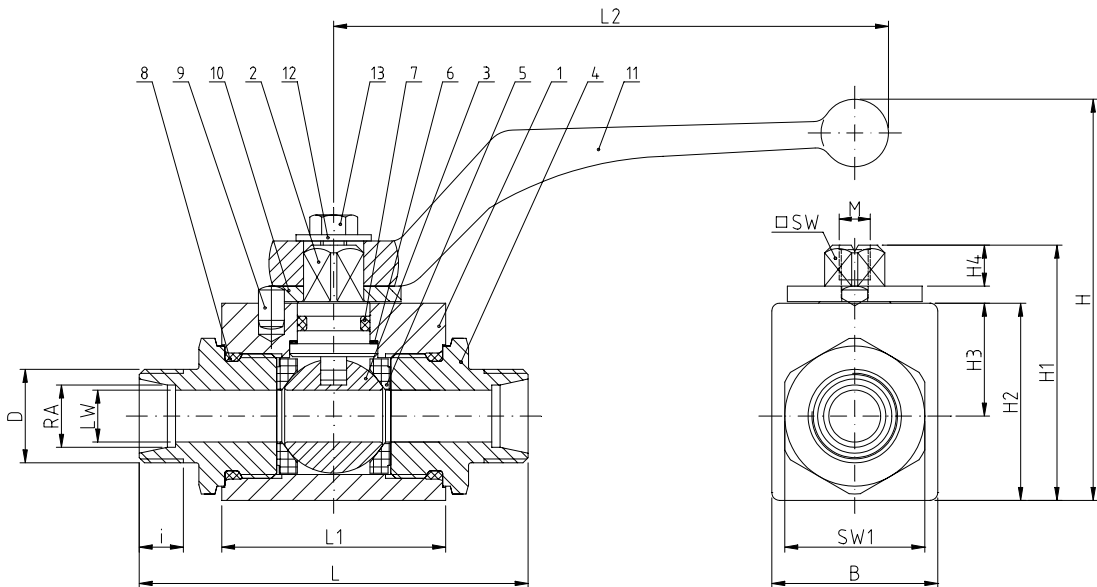
Temperature range: -20°C up to +100°C (optional max. 220°C)
(depending from working pressure)

Application: Hydraulic, Automobile-, Mining- and Paint industry
for media: Oils, Gases, Compressed air etc.

Design features:

- Maintenance free • Anti-blow out stem
- Low pressure and vacuum usable
- ♦ Bore for automation, Automatic closing device (optional)

➤ **More information on your inquiry!**



Dimensions in mm

Pos.	Benennung	Description	Materials Standard (Hydraulic)	Materials (korrosive fluids)	Piece
1	Gehäuse	Body	Steel 9SMn28K	Steel 9SMn28K	1
2	Schaltwelle	Stem	Steel zinc 9SMn28K	Steel zinc 9SMn28K	1
3	Kugel	Ball	Steel nickel 9SMn28K	Steel nickel 9SMn28K	1
4	Anschlußstutzen	Adapter	Steel 9SMn28K	Steel 9SMn28K	2
5	Kugeldichtung	Ball seat	Polyamid	PTFE	2
6	Laufring	Thrust ring	PTFE	PTFE	1
7	Schaltwellendichtung	Stem o-ring	NBR	Viton	1
8	Gehäusedichtung	Body o-ring	NBR	Viton	2
9	Anschlagsift	Stop	Steel	Steel	1
10	Anschlagscheibe	Stop washer	Steel zinc.	Steel zinc.	1
11	Handhebel	Handle	Zinc (steel, stainless steel optional)	Zinc (steel, stainless steel optional)	1
12	Scheibe	Washer	Steel zinc	Steel zinc	1
13	Schraube	Screws	Steel 8.8	Steel 8.8	1

DN	LW	D	RA	i	L	L1	L2	B	H	H1	H2	H3	H4	□SW	SW1	M	PN	Kg
4	5	M14x1,5	6	9	71,5	36	107	26	71,5	43,5	32	19	8	9	22	M5	500	0,35
4	5	M16x1,5	8	9	73	36	107	26	71,5	43,5	32	19	8	9	22	M5	500	0,35
6	6	M18x1,5	10	9	73	36	107	26	71,5	43,5	32	19	8	9	22	M5	500	0,35
8	8	M20x1,5	12	9	77	36	107	26	71,5	43,5	32	19	8	9	22	M5	500	0,35
10	10	M22x1,5	14	11	84	43	107	32	77	49	38	22	8	9	27	M5	500	0,50
13	13	M24x1,5	16	11	87	48	107	35	79	51	40	22,5	8	9	30	M5	500	0,60
16	13	M30x2,0	20	13	91	48	165	38	115	62	46	27	12	12	32	M6	500	0,65
16	13	M24x1,5	16	11	87	48	165	38	115	62	46	27	12	12	32	M6	500	0,75
16	15	M30x2,0	20	13	91	48	165	38	115	62	46	27	12	12	32	M6	500	0,75
20	20	M36x2,0	25	15	110	62	165	49	126	73	57	32,5	12	14	41	M6	400	1,50
25	24	M42x2,0	30	17	120	66	165	60	129	76	60	33,5	12	14	46	M6	350	2,10
32	24	M52x2,0	38	19	125	66	165	60	129	76	60	33,5	12	14	50	M6	350	2,30