



Technical data

Connection: DIN-flange

Diameters size: DN15 up to DN150

Pressure range: PN16

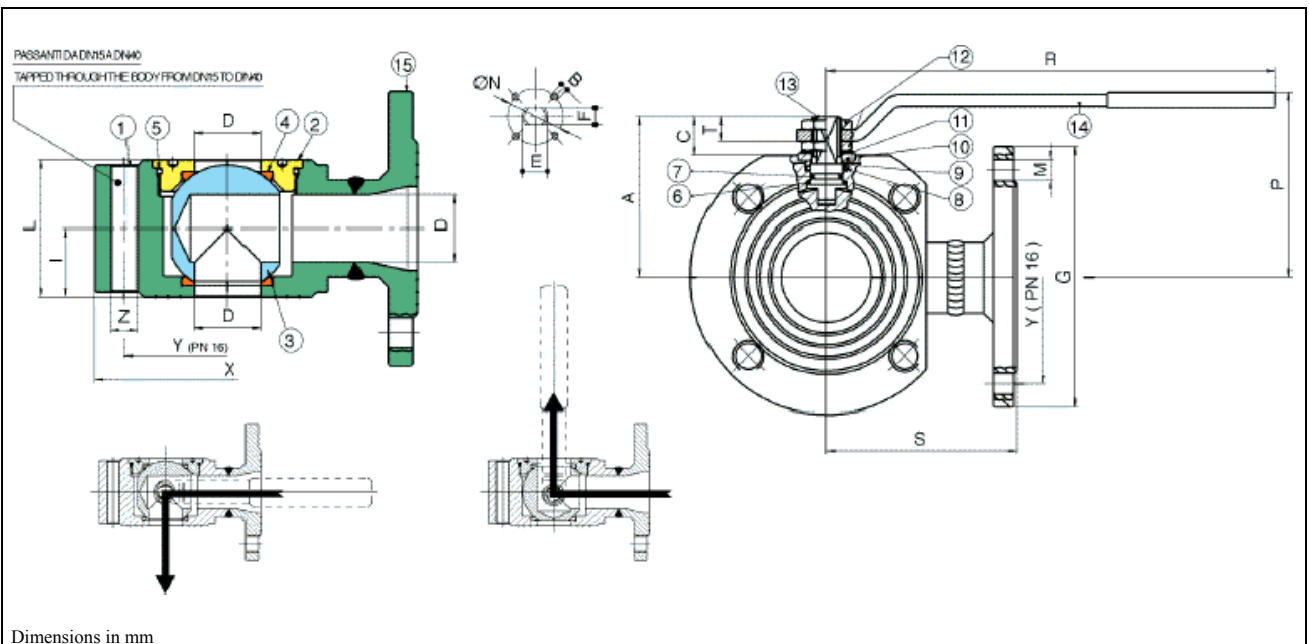
Temperature range: -20°C up to +160°C
(depending from working pressure)

Application: Chemical, Refinery, Shipbuilding, Plant engineering
for media: Water, Oils, Fuels, Solvents etc.

Design features:

- TA-Luft certificated • Reduced bore
- 2 ball seats • ISO-bore for automation
- ♦ T-bore (optional)

☞ **More information on your inquiry!**



Pos.	Benennung	Description	Materials		Piece
1	Gehäuse	Body	INOX AISI 316		1
2	Ring	End connection	INOX AISI 316		1
3	Kugel	Ball	INOX AISI 316		1
4	Kugeldichtung	Ball seat	PTFE (Teflon)		2
5	O-Ring	O-ring	FKM (Viton)		1
6	Spindelscheibe	Thrust washer	PTFE (Teflon)		1
7	O-Ring	O-ring	FKM (Viton)		1
8	Spindichtung	Stem seat	PTFE (Teflon)		1
9	Vorspannung	Packing gland	AVP-9SMNPb36		1
10	Anschlagscheibe	End stop	INOX AISI 430 (DN15-50)	UNI 7070(DN65-100)	2 1
11	Tellerfeder	Spring washer	UNI 3545		2
12	Mutter	Nut	UNI 5771		2
13	Spindel	Stem	INOX AISI 316		1
14	Handhebel	Handle	UNI 7070		1
15	Flansch	Flange	INOX AISI 316		1

DN	X	Y	Z	I	L	R	P	A	C	T	G	M	D	S	E	F	N	B	PN	Kg
15	89	65	4xM12	20	40	131,5	64,5	47	15,5	9	95	4xØ14	10	76	10	7	32	4xM5	16	2,23
20	99	75	4xM12	20	40	131,5	67	49,5	13,5	9	105	4xØ14	15	82	10	7	32	4xM5	16	2,86
25	109	85	4xM12	23	46	174,5	79	59	18	12,5	115	4xØ14	20	86	12	8	42	4xM5	16	3,89
32	130	100	4xM16	29	58	174,5	84	64	15,5	11,5	140	4xØ18	25	100	12	8	42	4xM5	16	6,21
40	140	110	4xM16	35,5	71	250,5	102,5	78	24,5	13	150	4xØ18	32	105	16	10	50	4xM6	16	8,50
50	160	125	4xM16	41	82	250,5	109	85	25	13,5	165	4xØ18	40	115	16	10	50	4xM6	16	12,27
65	180	145	4xM16	53	106	321,5	128	104,5	28	18	185	4xØ18	50,2	125	20	14	70	4xM8	16	19,10
80	200	160	8xM16	61	122	321,5	136,5	113	28	18	200	8xØ18	64	150	20	14	70	4xM8	16	24,34
100	220	180	8xM16	76	152	381,5	155,5	136	34,5	22	220	8xØ18	76	159	24	18	102	4xM10	16	38,45
125	250	210	8xM16	98	196	381,5	178,5	159	34,5	22	250	8xØ18	100	190	24	18	102	4xM10	16	63
150	306	240	8xM20	116	242	700	252	201	59	29	285	8xØ22	125	210	42	30	125	4xM12	16	108