



Technical data

Connection: DIN-flange

Diameters size: DN15 up to DN100

Pressure range: PN16 (PN40 optional)

Temperature range: -20°C up to +160°C

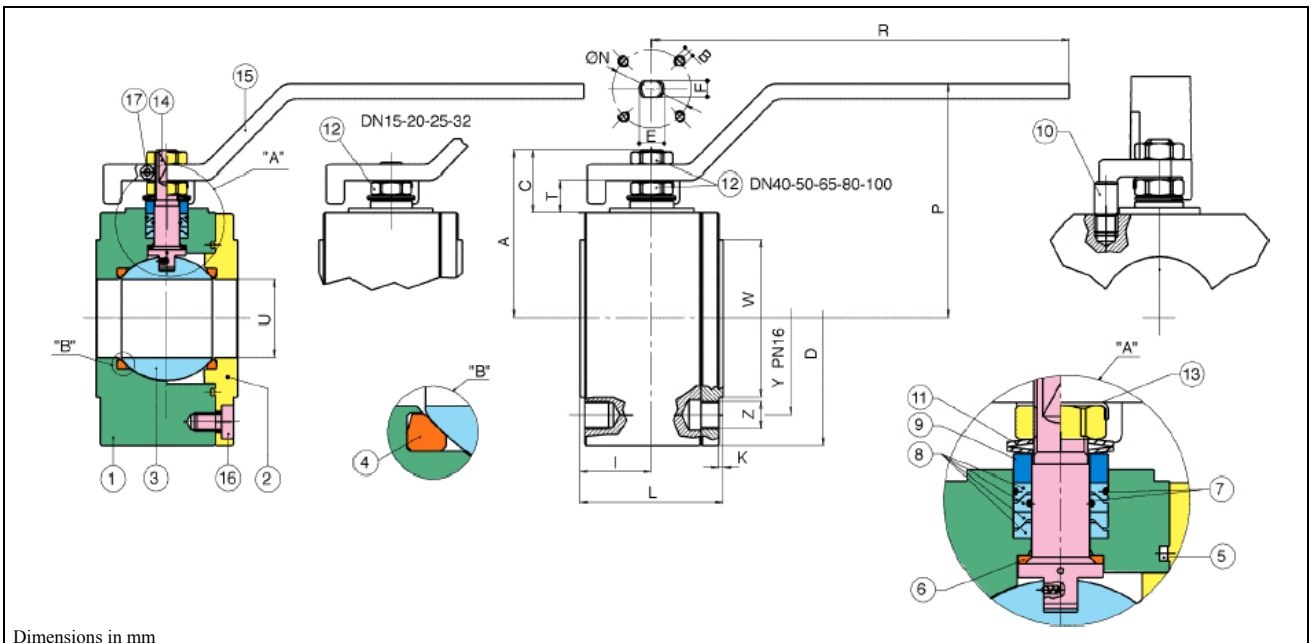
(depending from working pressure)

Application: Chemical, Refinery, Shipbuilding, Plant engineering for media: Water, Oils, Fuels, Compressed air, Solvents etc.

Design features:

- Full bore acc.
- Antistatic device
- ISO-bore for automation
- End connection
- TA-Luft certificated
- Fire-Safe design

📄 **More information on your inquiry!**



Dimensions in mm

| Pos. | Benennung | Description | Materials | Piece |
|------|--------------------|-------------------|------------------------------------------|-------|
| 1 | Gehäuse | Body | AISI F316/DIN 1.4401 | 1 |
| 2 | Flansch | End connection | AISI F316/DIN 1.4401 | 1 |
| 3 | Kugel | Ball | DN15-40 F316/1.4401 DN50-100 CF8M/1.4401 | 1 |
| 4 | Kugeldichtung | Ball seat | PTFE (Teflon) | 2 |
| 5 | Flanschdichtung | Seat | PTFE (Teflon) | 1 |
| 6 | Spindelscheibe | Thrust washer | PTFE (Teflon) | 1 |
| 7 | O-Ring | O-ring | FKM (Viton) | 1 |
| 8 | Spindichtung | Stem seat | PTFE (Teflon) | 2-4 |
| 9 | Vorspannung | Packing gland | AISI F316/DIN 1.4310 | 1 |
| 10 | Anschlag | Stop | A2 | 1 |
| 11 | Tellerfeder | Spring washer | AISI F326/DIN 1.4401 | 2 |
| 12 | Mutter | Nut | A2 | 1-2 |
| 13 | Sicherheitsscheibe | Exter. tab washer | AISI F316/DIN 1.4401 | 1 |
| 14 | Spindel | Stem | AISI F316/DIN 1.4401 | 1 |
| 15 | Handhebel | Handle | CF8M/DIN 1.4408 | 1 |
| 16 | Schraube | Screw | A2 | 4-8 |
| 17 | Schraube | Screw | A2 | 1 |

| DN | U | D | Y | Z | I | L | R | P | A | C | T | W | K | E | F | N | B | KV | PN | Kg |
|-----|----|-----|-----|-------|------|-----|-----|-------|-------|------|------|-----|---|-----|----|--------|-----|------|-------|------|
| 15 | 15 | 95 | 65 | 4xM12 | 22 | 53 | 125 | 80 | 50 | 17 | 11 | 45 | 2 | M10 | 7 | 42F04 | M5 | 16,6 | 16/40 | 2,3 |
| 20 | 19 | 105 | 75 | 4xM12 | 22 | 53 | 125 | 83,5 | 52,5 | 17 | 10 | 58 | 2 | M10 | 7 | 42F04 | M5 | 29,5 | 16/40 | 2,8 |
| 25 | 25 | 115 | 85 | 4xM12 | 24,5 | 57 | 175 | 99,5 | 73 | 28 | 17,5 | 68 | 2 | M12 | 8 | 42F04 | M5 | 43 | 16/40 | 3,9 |
| 32 | 30 | 140 | 100 | 4xM16 | 32,5 | 65 | 175 | 103 | 76,5 | 27 | 16,5 | 78 | 2 | M12 | 8 | 42F04 | M5 | 89 | 16/40 | 8,5 |
| 40 | 38 | 150 | 110 | 4xM16 | 39,5 | 79 | 250 | 128 | 98 | 38,5 | 19 | 88 | 3 | M16 | 12 | 50F05 | M6 | 230 | 16/40 | 9,1 |
| 50 | 50 | 165 | 125 | 4xM16 | 42,5 | 85 | 250 | 137 | 107 | 38,5 | 19 | 102 | 3 | M16 | 12 | 50F05 | M6 | 265 | 16/40 | 11,9 |
| 65 | 64 | 185 | 145 | 4xM16 | 51,5 | 103 | 320 | 157 | 132 | 50,5 | 23,5 | 122 | 3 | M24 | 18 | 70F07 | M8 | 540 | 16 | 18,3 |
| 80 | 76 | 200 | 160 | 8xM16 | 61 | 122 | 320 | 166,5 | 141 | 50,5 | 23,5 | 138 | 3 | M24 | 18 | 70F07 | M8 | 873 | 16 | 23,7 |
| 100 | 95 | 220 | 180 | 8xM16 | 77,5 | 155 | 400 | 187 | 161,5 | 61 | 31 | 158 | 3 | M27 | 20 | 102F10 | M10 | 1390 | 16 | 36 |