



### Technical data

**Connection:** DIN-Flange (ANSI-Flange optional)

**Diameters size:** DN15 up to DN200

**Pressure range:** PN16 (PN40 optional)

**Temperature range:** Ambience -20°C up to +80°C

medium -20°C up to +160°C (depending from working pressure)

**Application:** Chemical-, Refinery industry, Plant engineering etc.

**Operating method:** Pneumatic, double- or single-acting, open or closed with spring force

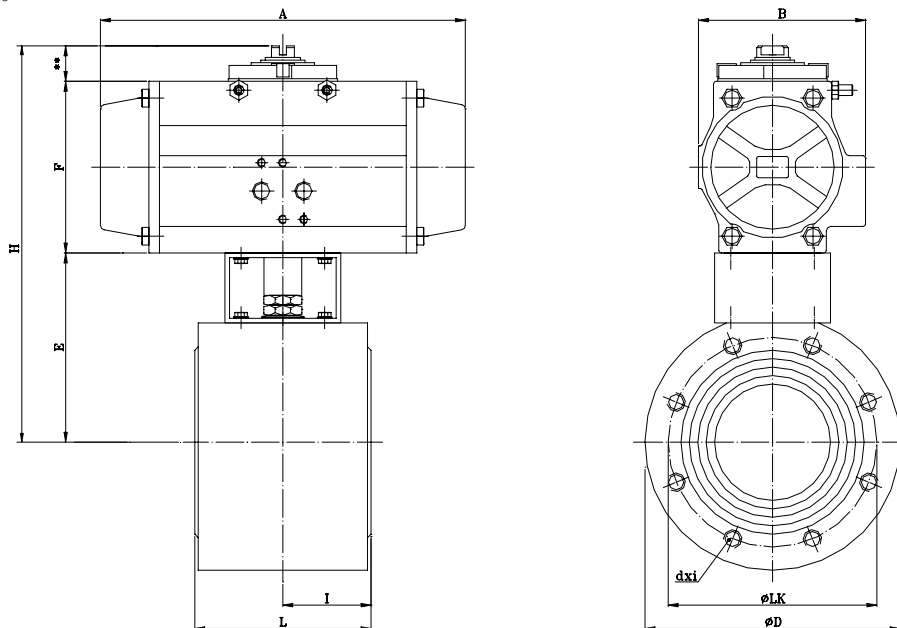
**Air pressure:** 2-10 bar

**Control medium:** Compressed air or inert gases

**Pneumatic control:** 3/2- or 5/2- way control valve, direct-mounting or separate

 **More information on your inquiry!**

\*\* 20mm type 32 to 100  
30mm type 115 to 270



Dimensions in mm

DN	L	I	E	øD	øLK	dxi	KV	PN	Actuator*	H	F	A	B	Kg
15	35	19	71,5	90	65	M12x4	16,3	16/40	DA32	136,5	45	110	45	2,3
									SR52	61	69,5	139,5	71	3,0
20	40	20	76	100	75	M12x4	29,5	16/40	DA52	165,5	69,5	139,5	71	3,5
									SR63	176,5	80,5	162	80,5	4,2
25	46	24	81,5	110	85	M12x4	43	16/40	DA52	171	69,5	139,5	71	4,3
									SR63	182	80,5	162	80,5	5,0
32	54	28	88	130	100	M16x4	89	16/40	DA52	177,5	69,5	139,5	71	5,8
									SR63	188,5	80,5	162	80,5	6,5
40	63,5	31,75	103,5	140	110	M16x4	230	16/40	DA63	204	80,5	162	80,5	8,2
									SR85	232	108,5	237,5	106	11,0
50	82	41	112	150	125	M16x4	265	16/40	DA75	229	97	207	94,5	12,0
									SR100	253,5	121,5	271,5	123	16,0
65	103	51,5	126,5	175	145	M16x4	540	16	DA85	255	108,5	237,5	106	19,9
									SR115	298	141,5	328	137	27,1
80	122	61	137	190	160	M16x8	873	16	DA85	265,5	108,5	237,5	106	24,9
									SR125	320,5	153,5	366	148	34,9
100	152	76	162,5	220	180	M16x8	1390	16	DA100	304	121,5	271,5	123	41,2
									SR125	346	153,5	366	148	49,1
125	196	98	185	250	210	M16x8	1707	16	DA115	356,5	141,5	328	137	62,0
									SR160	403	188	522	187	78,4
150	232	116	250	300	240	M20x8	2024	16	DA125	433,5	153,5	366	148	104,0
									SR200	519	239	575	218	144,5
200	317	158,5	293,5	340	295	M20x12	2720	16	DA160	511,5	188	522	187	115,5
									SR200	562,5	239	575	218	146,5

\*Dimensioning: Water 20°C / 6bar, control pressure 6bar. Actuator dimensioning change according to the medium and operating conditions!