



Technical data

Connection: Thread acc. to ISO 228/1

Diameters size: 1/4" up to 3"

Pressure range: PN25 up to PN6

Temperature range: -15°C up to +120°C

(depending from working pressure)

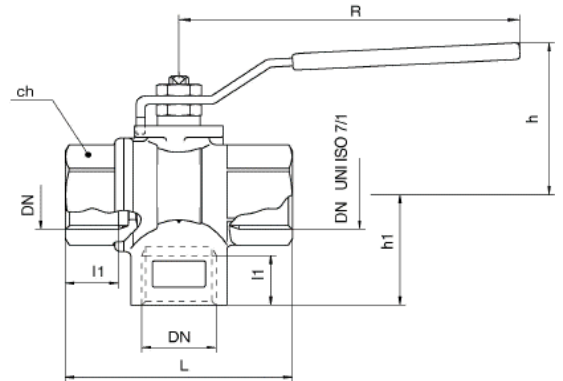
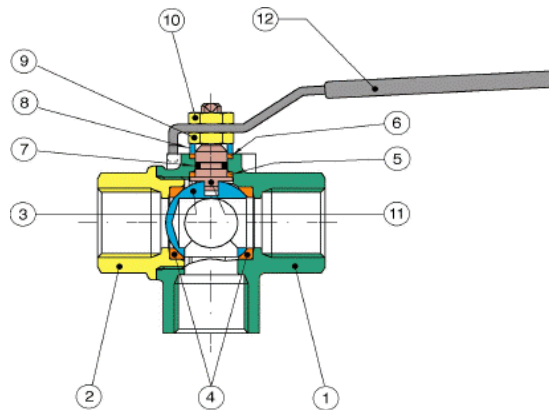
Application: House- and sanitary technology, Plant factory for media: Water, Oils, Fuels, Compressed air, Solvents etc.

Design features:

- Switch angle 180°
- 2 ball seats
- Full bore

➤ **More information on your inquiry!**

Art.3110 with T-port, negative overlapping
Art.3210 with L-port, positive overlapping



Dimensions in mm

Pos.	Benennung	Description	Materials	Piece
1	Gehäuse	Body	CW61N UNI EN 12165 (brass nickel plated)	1
2	Muffe	End connection	CW61N UNI EN 12165 (brass nickel plated)	1
3	Kugel	Ball	CW61N UNI EN 12165 (brass hard chrome plated)	1
4	Kugeldichtung	Ball seat	PTFE (Teflon)	2
5	Dichtung	Seat	PTFE (Teflon)	1
6	Spindeldichtung	Stem seat	PTFE (Teflon)	1
7	O-Ring	O-ring	NBR	1
8	Vorspannring	Packing gland	CW61N UNI EN 12165	1
9	Mutter	Nut	ACCIAIO	1
10	Mutter	Nut	ACCIAIO	1
11	Spindel	Stem	CW614N UNI EN 12164	1
12	Handhebel	Handle	Fe P 11 UNI 5867	1

G	DN	ch	I1	L	h1	h	R	KV	PN	Kg
1/4"	8	22	11	52	26	42	98	1,5	25	0,22
3/8"	10	22	11,4	52	26	42	98	1,8	25	0,19
1/2"	15	27	15	64	33,5	45	98	3,9	25	0,30
3/4"	20	32	16,3	74	39,5	57	118	7,9	16	0,47
1"	25	41	19,1	89	47	60	118	13	16	0,75
1 1/4"	32	50	21,4	100	54,5	66	118	20,7	10	1,18
1 1/2"	40	55	21,4	110	61,25	81	153	38,7	10	1,53
2"	50	70	25,7	130	71,75	103	170	54	10	2,60
3"	80	105	33,3	197	106	152	260	145,7	6	9,50