



Technical data

Connection: Thread acc. to ISO 228/1

Diameters size: 1/4" up to 4"

Pressure range: PN 40

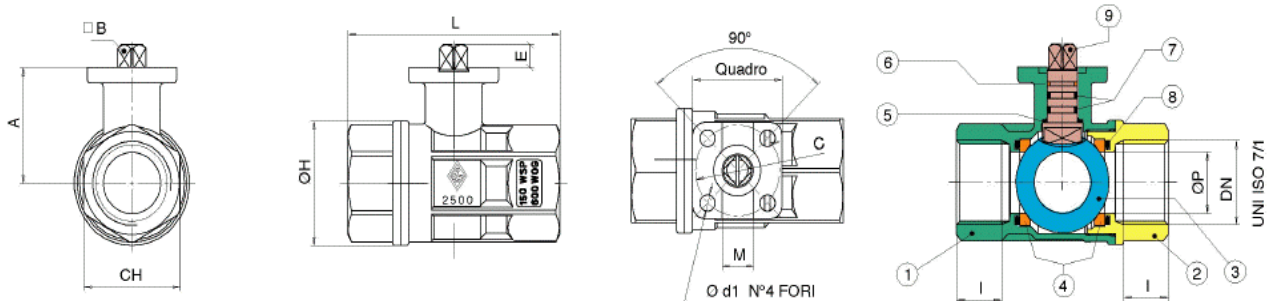
Temperature range: -20°C up to +160°C
(depending from working pressure)

Application: House- and sanitary technology, Plant factory for media: Water, Oils, Fuels, Compressed air etc.

Design features:

- Full bore • Silicon free
- Direct mounting pad acc. to ISO 5211
- ♦ Thread acc. to NPT, Oil and grease free (optional)

☞ **More information on your inquiry!**



Dimensions in mm

Pos.	Benennung	Description	Materials	Piece
1	Gehäuse	Body	CW61N UNI EN 12165 (brass nickel plated)	1
2	Muffe	End connection	CW61N UNI EN 12165 (brass nickel plated)	1
3	Kugel	Ball	CW61N UNI EN 12165 (brass chrome plated)	1
4	Kugeldichtung	Ball seat	PTFE (Teflon)	2
5	Dichtung	Seat	PTFE (Teflon)	1
6	Spindeldichtung	Stem seat	PTFE (Teflon)	1
7	O-Ring	O-ring	FKM (Viton)	2
8	O-Ring	O-ring	FKM (Viton)	1
9	Spindel	Stem	CW614N UNI EN 12164 (brass nickel plated)	1

G	DN	QUADRO	A	□B	C	Ød1	E	ØH	I	L	M	ØP	CH	KV	PN	Kg
1/4"	8	38	33	9	36	6	9	33,5	11	67	13	14,2	27	5,4	40	0,35
3/8"	10	38	33	9	36	6	9	33,5	11,4	67	13	14,2	27	6,0	40	0,35
1/2"	15	38	33	9	36	6	9	33,5	11,4	67	13	14,2	27	16,3	40	0,35
3/4"	20	38	35	9	36	6	9	40	16,3	67	13	19	32	16,3	40	0,40
1"	25	38	45,5	9	36	6	9	49	19,1	90	13	24,2	41	29,5	40	0,71
1 1/4"	32	38	49	9	36	6	9	58,5	21,4	102	13	30	50	43	40	1,05
1 1/2"	40	50	64	11	50	7	11	71,5	21,4	114	21	38	55	230	40	1,70
2"	50	50	73,25	11	50	7	11	91,5	25,7	138	21	50,2	70	265	40	2,66
2 1/2"	65	70	87	14	70	9	15	113	30,2	157	25	65	90	540	40	3,99
3"	80	70	98	14	70	9	15	135	33,3	188	25	76	105	810	40	6,10
4"	100	70	119,5	17	70	9	18	166	39,3	225	30	95	130	1280	40	10,25