



### Technical data

**Connection:** DIN-flange

**Diameters size:** 25 up to 200

**Pressure range:** PN16

**Temperature range:** Ambience -20°C up to +80°C

medium -20°C up to +120°C (depending from working pressure)

**Application:** Chemical-, Refinery industry, Plant engineering etc.

**Operating method:** Pneumatic, double- or single-acting, open or closed with spring force

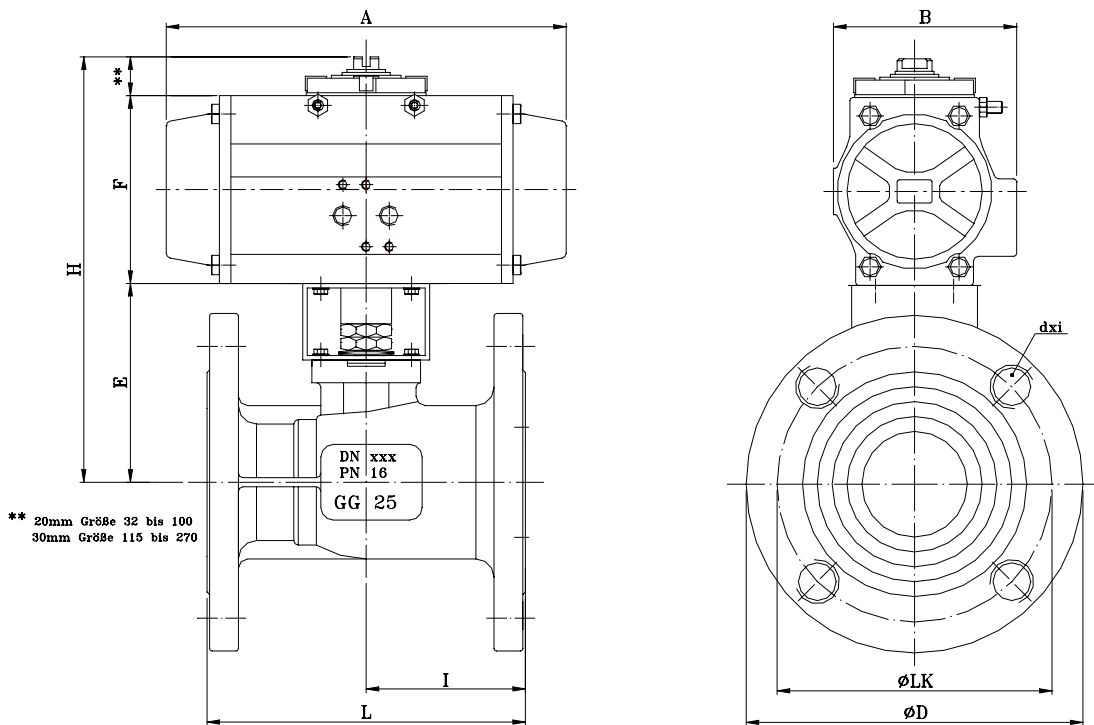
**Air pressure:** 2-8 bar

**Control medium:** Compressed air or inert gases

**Pneumatic control:** 3/2- or 5/2- way control valve, direct-mounting or separate

 **More information on your inquiry!**

Art. 733 ball in stainless steel



Dimensions in mm

DN	L	I	E	ØD	ØLK	dxi	KV	Actuator*	H	F	A	B	Kg
25	125	42	79,5	115	85	M12x4	43	DA-52	169,0	69,5	139,5	71,0	4,3
								SR-63	180,0	80,5	162,0	80,5	5,1
32	130	47	86,0	140	100	M16x4	89	DA-52	175,5	69,5	139,5	71,0	6,0
								SR-63	186,5	80,5	162,0	80,5	6,8
40	140	49	104,0	150	110	M16x4	230	DA-63	204,5	80,5	162,0	80,5	7,8
								SR-85	232,5	108,5	237,5	106,0	10,6
50	150	52	111,0	165	125	M16x4	265	DA-75	228,0	97,0	207,0	94,5	10,4
								SR-100	252,5	121,5	271,5	123,0	14,4
65	170	65	135,0	185	145	M16x4	540	DA-85	263,5	108,5	237,5	106,0	14,7
								SR-115	306,5	141,5	328,0	137,0	21,9
80	180	66	146,0	200	160	M16x8	873	DA-85	274,5	108,5	237,5	106,0	17,0
								SR-125	329,5	153,5	366,0	148,0	27,0
100	190	89	164,5	220	180	M16x8	1390	DA-100	306,0	121,5	271,5	123,0	25,1
								SR-125	348,0	153,5	366,0	148,0	58,2
125	200	100	187,0	250	210	M16x8	1707	DA-115	358,5	141,5	328,0	137,0	40,4
								SR-160	405,0	188,0	522,0	187,0	57,8
150	210	105	250,0	285	240	M20x8	2024	DA-125	433,5	153,5	366,0	148,0	54,4
								SR-200	519,0	239,0	575,0	218,0	94,9
200	400	200	292,0	340	295	M20x12	2720	DA-160	510,0	188,0	522,0	187,0	117,0
								SR-200	561,0	239,0	575,0	218,0	148,0

\*Dimensioning: Water 20°C / 6bar, control pressure 6bar. Actuator dimensioning change according to the medium and operating conditions!