



Technical data

Connection: DIN-flange

Diameters size: DN25 up to 200

Pressure range: PN16

Temperature range: -20°C up to +160°C

(depending from working pressure)

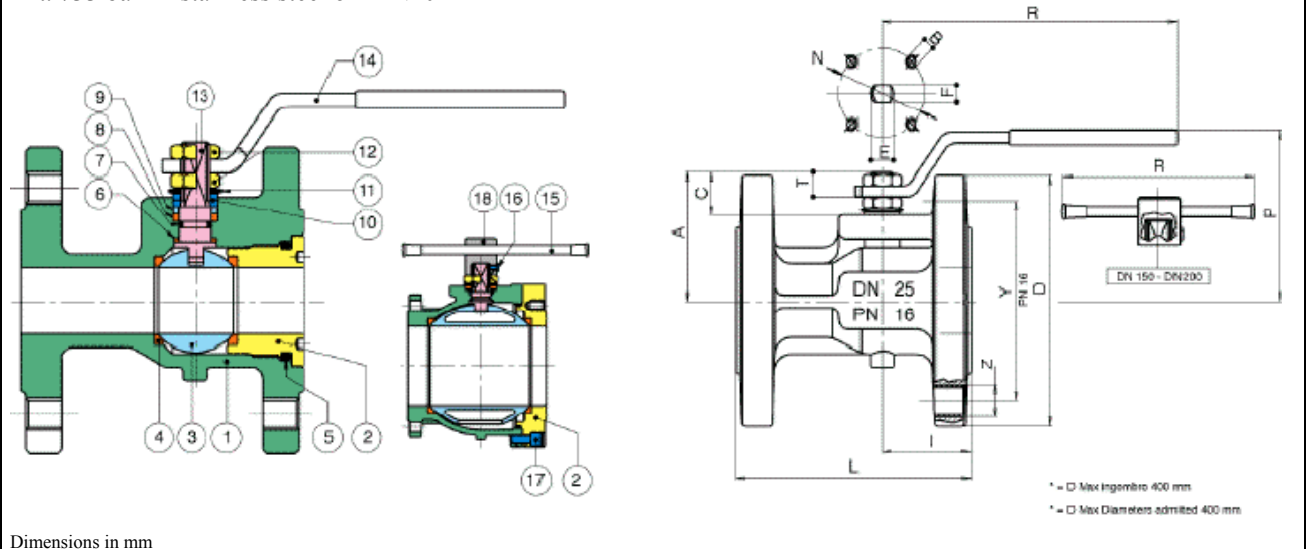
Application: Chemical, Refinery, Shipbuilding, Plant engineering for media: Water, Oils, Fuels, Compressed air etc.

Design features:

- TA-Luft certificated • Full bore acc. to ISO
- ISO-bore for actuators • Face to face acc. to DIN 3202 F4/F5
- ♦ For oxygen (optional)

📄 **More information on your inquiry!**

Art. 733 ball in stainless steel off DN40



Dimensions in mm

Pos.	Benennung	Description	Materials	Piece
1	Gehäuse	Body	G250	1
2	Ring	End connection	ASTM A105	1
3	Kugel	Ball	CW617N brass chrome plated (Art.733 AISI 303 off DN40)	1
4	Kugeldichtung	Ball seat	PTFE (Teflon)	2
5	O-Ring	O-ring	BUNA	1
6	Spindelscheibe	Thrust washer	PTFE (Teflon)	1
7	O-Ring	O-ring	BUNA	1
8	Spindichtung	Stem seat	PTFE (Teflon)	1
9	Vorspannring	Packing gland	AVP-9MNPb36	1
10	Anschlagscheibe	End stop	INOX AISI 430 (DN15-50) UNI 7070 (DN65-200)	2 1
11	Tellerfeder	Spring washer	UNI 3545	2
12	Mutter	Nut	UNI 5771	2
13	Spindel	Stem	INOX AISI 304	1
14	Handhebel	Handle	FE 360B	1
15	Handhebel DN150-200	Handle DN150-200	UNI 7230	1
16	Schraube	Screw	UNI 7356	1
17	Schraube	Screw	UNI 7356	8
18	Hebel DN1500-200	Body handle DN1500-200	GS25 UNI 5007	1

DN	D	Y	Z	I	L	R	P	A	C	T	E	F	N	B	KV	PN	Kg
25	115	85	4xM12	42	125	174,5	79	59	19,5	11,5	12	8	-	-	43	16	3,1
32	140	100	4xM16	47	130	174,5	85,5	64,5	18,5	10,5	12	8	-	-	89	16	4,8
40	150	110	4xM16	49	140	250,5	103	78	24	12,5	16	10	-	-	230	16	6,1
50	165	125	4xM16	52	150	250,5	110	85	24	12,5	16	10	-	-	265	16	7,6
65	185	145	4xM16	65	170	321,5	125,5	103	28	18	20	14	-	-	540	16	11
80	200	160	8xM16	66	180	321,5	137,5	114	28	18	20	14	70F07	4xM8	873	16	13,3
100	220	180	8xM16	89	190	381,5	158	137	32,5	20,5	24	18	102F10	4xM10	1390	16	19,7
125	250	210	8xM16	100	200	381,5	179,5	159,5	32,5	21,5	24	18	102F10	4xM10	1707	16	32
150	285	240	8xM20	105	210	700	237	201,5	51,5	30	42	30	125F12	4xM12	2024	16	44
200	340	295	12xM20	200	400	700	279	244	52	30	42	30	125F12	4xM12	2720	16	97