



Technical data

Connection: DIN-flange (ANSI-flange optional)

Diameters size: DN50 up to DN150

Pressure range: PN16

Temperature range: Ambience -20°C up to +80°C
medium -20°C up to +80°C (depending from working pressure)

Application: Pneumatic conveying, Plant engineering etc.

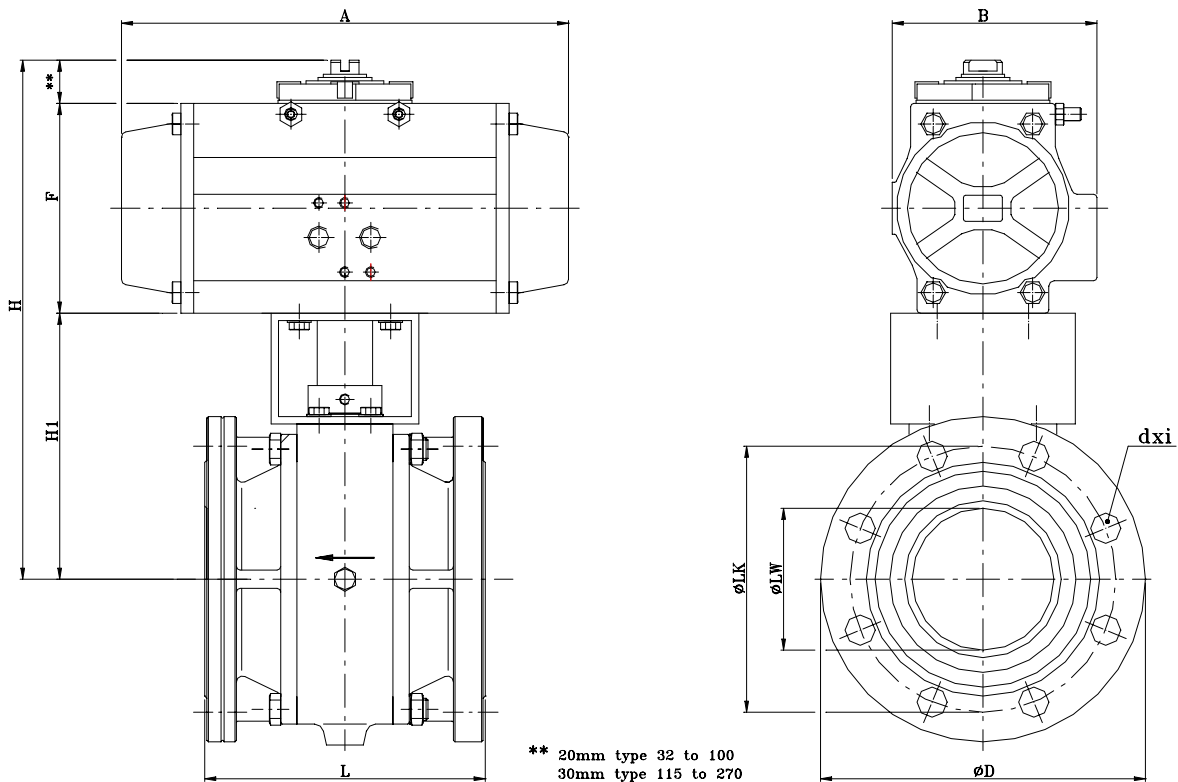
Operating method: Pneumatic, double- or single-acting, open or closed with spring force

Air pressure: 2-10 bar

Control medium: Compressed air or inert gases

Pneumatic control: 3/2- or 5/2- way control valve, direct-mounting or separate

☞ **More information on your inquiry!**



Dimensions in mm

DN	ØLW	L	H1	ØD	ØLK	dxi	PN	Antrieb*	H	F	A	B	Kg
50	50	150	130	165	125	18x4	16	DA52	219,5	69,5	139,5	71	10,9
								SR75	247,0	97,0	207,0	94,5	13,0
65	64	170	134	185	145	18x4	16	DA63	234,5	80,5	162,0	80,5	15,7
								SR75	251,0	97,0	207,0	94,5	17,4
80	78	180	143	200	160	18x8	16	DA75	260,0	97,0	207,0	94,5	20,6
								SR85	271,5	108,5	237,5	106,0	22,3
100	97	190	165	220	180	18x8	16	DA100	306,5	121,5	271,5	123,0	35,1
								SR125	348,5	153,5	366,0	148,0	43,4
125	122	200	189	250	210	18x8	16	DA100	330,5	121,5	271,5	123,0	48,6
								SR125	372,5	153,5	366,0	148,0	56,9
150	150	350	276	285	240	22x8	16	DA115	447,5	141,5	328,0	137,0	91,5
								SR160	494,0	188,0	522,0	187,0	107,9

*Dimensioning: Water 20°C / 6bar, control pressure 6bar. Actuator dimensioning change according to the medium and operating conditions!