



Technical data

Connection: DIN-flange (ANSI-flange optional)

Diameters size: DN50 up to DN150

Pressure range: PN16

Temperature range: -20°C up to + 80°C (optional max. 230°C)
(depending from working pressure)

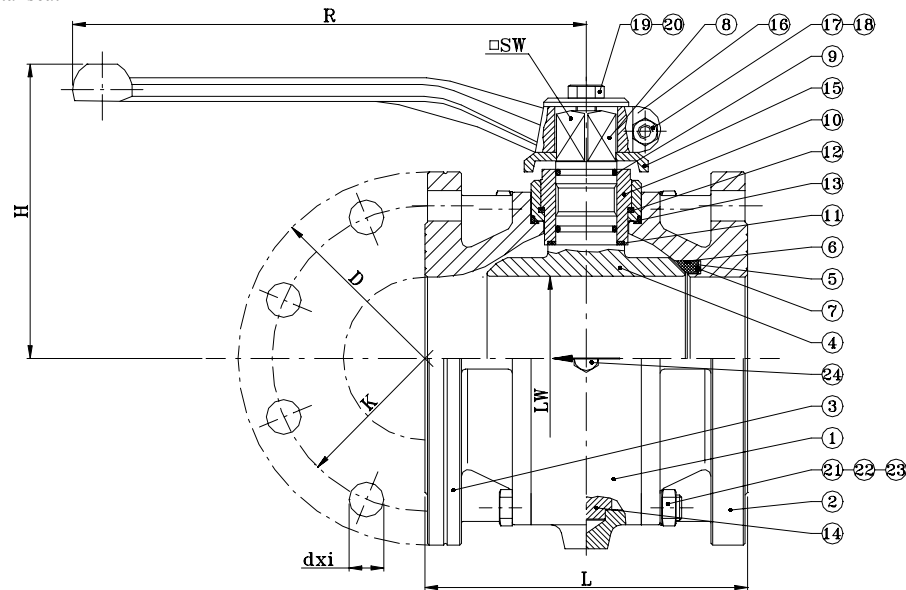
Application: Tank truck, Silo truck, Plant engineering
for media: Granulated, Bulk material, Concrete, Powder, Dust etc.

Design features:

- Jam-free design • Full bore acc. to ISO
- Bore for automation • Trunnion mounting
- ♦ Dual seal, Panzerung Vent plug, Antistatic device (optional)

📄 **More information on your inquiry!**

Art. 400GM with metal seat



Dimensions in mm

| Pos. | Benennung | Description | Materials | Materials (optional) | Piece |
|----------|---------------------------|------------------------|--------------------------|-------------------------------------|-------|
| 1 | Gehäuse | Body | GG-25 | GGG-40 | 1 |
| 2 | Gehäuseflansch (Einlauf) | Body flange | GG-25 | GGG-40 | 1 |
| 3 | Gehäuseflansch (Auslauf) | Body flange | GG-25 | GGG-40 | 1 |
| 4 | Kugel | Ball | GG-25 hard chrome plated | Stainless steel boriert (Art.400GM) | 1 |
| 5 | Kugeldichtung | Ball seat | PTFE+25% Glass | Stainless steel boriert (Art.400GM) | 1 |
| 6 | O-Ring | O-ring | Perbunan | Viton | 1 |
| 7 | O-Ring | O-ring | Perbunan | Viton | 1 |
| 8 | Schaltwelle | Stem | Stainless steel | | 1 |
| 9 | O-Ring | O-ring | Perbunan | Viton | 2 |
| 10 | Lagerbuchse | Bearing | Brass | | 1 |
| 11 | Spindelscheibe | Thrust washer | PTFE | | 1 |
| 12 | O-Ring | O-ring | Perbunan | Viton | 1 |
| 13 | O-Ring | O-Ring | Perbunan | Viton | 2 |
| 14 | Lagerbolzen | Bearing | Brass | | 1 |
| 15 | Anschlagscheibe | End stopp | Brass | | 1 |
| 16 | Handhebel | Handel | Zinc cast alloy | | 1 |
| 17/18 | Klemmschraube/Mutter | Screws/Nut | Steel | | 1 |
| 19/20 | Schraube/Scheibe | Screws/Washer | Steel | | 1 |
| 21/22/23 | Bolzen/Mutter/Scheibe | Bolt/Nut/Washer | Steel | | 4-6 |
| 24 | Spülanschluss (Optional!) | Vent plug (Optional !) | Steel | | 1-2 |

| DN | LW | L | D | K | dxi | H | R | SW | PN | Kg |
|-----|-----|-----|-----|-----|------|-----|---------|----|----|------|
| 50 | 50 | 150 | 165 | 125 | 18x4 | 130 | 250 | 17 | 16 | 9,3 |
| 65 | 64 | 170 | 185 | 145 | 18x4 | 140 | 270 | 19 | 16 | 13,7 |
| 80 | 78 | 180 | 200 | 160 | 18x8 | 150 | 270 | 19 | 16 | 17,0 |
| 100 | 97 | 190 | 220 | 180 | 18x8 | 175 | 330 | 27 | 16 | 28,5 |
| 125 | 122 | 200 | 250 | 210 | 18x8 | 200 | 300/600 | 27 | 16 | 42,0 |
| 150 | 150 | 350 | 285 | 240 | 22x8 | 250 | 600 | 35 | 16 | 81,5 |