



Technical data

Connection: DIN-flange (ANSI-flange optional)

Diameters size: DN15 up to DN100"

Pressure range: PN40 up to PN16

Temperature range: Ambience -20°C up to +80°C

medium -20°C up to +120°C (depending from working pressure)

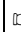
Application: Chemical-, Refinery industry, Plant engineering etc.

Operating method: Pneumatic, double- or single-acting, open or closed with spring force

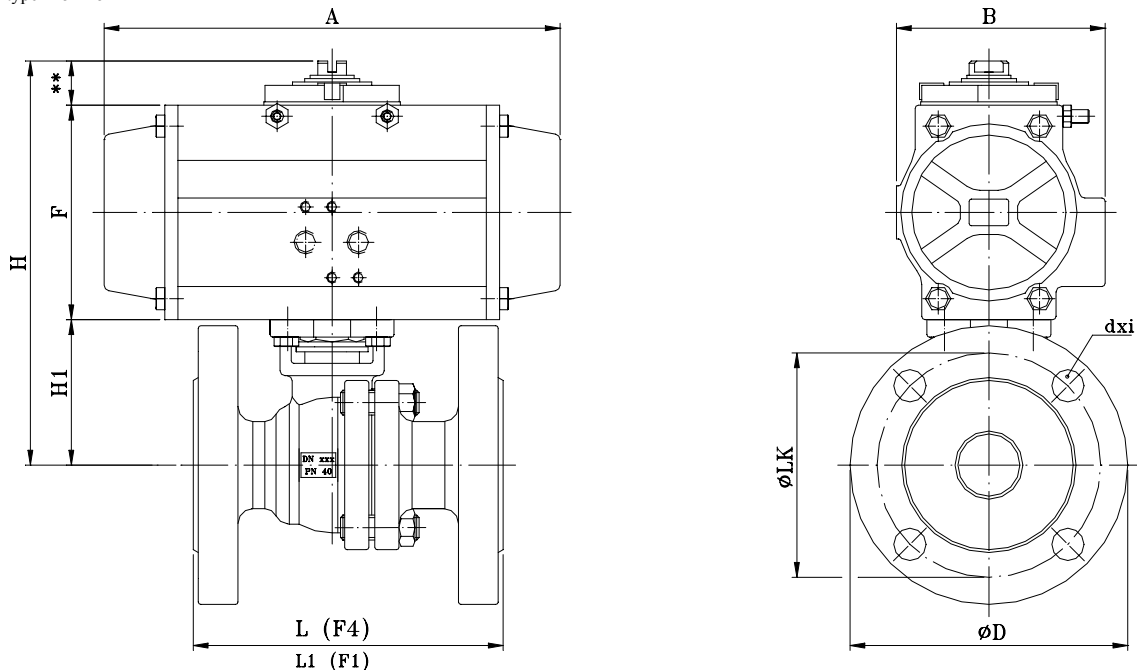
Air pressure: 2-8 bar

Control medium: Compressed air or inert gases

Pneumatic control: 3/2- or 5/2- way control valve, direct-mounting or separate

 **More information on your inquiry!**

** 20mm type 32-100
30mm type 115-125



Dimensions in mm

DN	L(F4)	L1(F1)	H1	ØD	ØLK	dxi	PN	Antrieb*	H	F	A	B	Kg(F4)
15	115	130	48	95	65	14x4	40	DA-32	113	45	110	45	3,1
								SR-52	138	70	140	71	3,8
20	120	150	53	105	75	14x4	40	DA-52	143	70	140	71	4,2
								SR-63	154	81	162	81	5,0
25	125	160	64	115	85	14x4	40	DA-52	154	70	140	71	5,6
								SR-63	165	81	162	81	6,4
32	130	180	71	140	100	18x4	40	DA-52	161	70	140	71	7,6
								SR-75	188	97	207	95	9,8
40	140	200	76	150	110	18x4	40	DA-52	166	70	140	71	9,6
								SR-75	193	97	207	95	11,8
50	150	230	85	165	125	18x4	40	DA-63	186	81	162	81	12,6
								SR-85	214	109	238	106	14,5
65	170	290	104	185	145	18x4	16	DA-75	221	97	207	95	16,6
								SR-100	246	122	272	123	20,6
80	180	310	114	200	160	18x8	16	DA-75	231	97	207	95	21,7
								SR-115	286	142	328	137	29,7
100	190	350	149	235	180	18x8	16	DA-85	278	109	238	106	31,5
								SR-125	333	154	366	148	41,5

*Dimensioning: Water 20°C / 6bar, control pressure 6bar. Actuator dimensioning change according to the medium and operating conditions!