

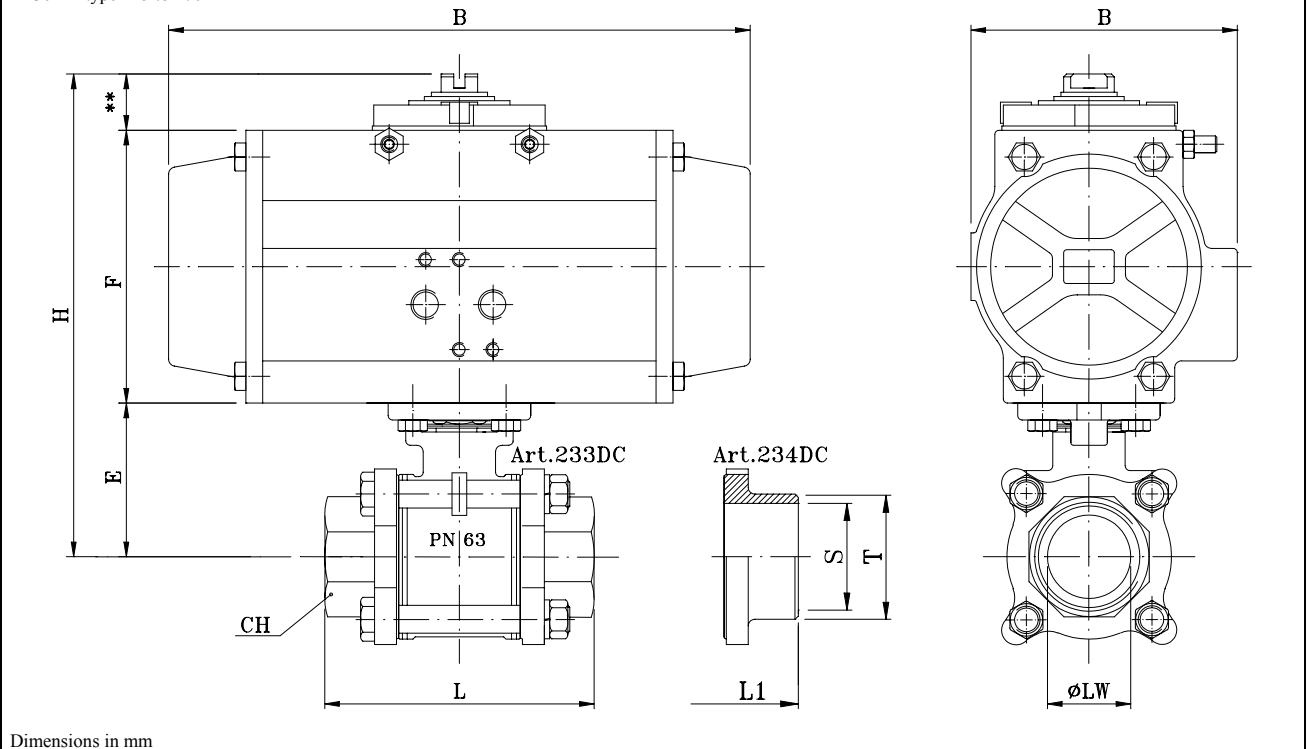


**Technical data**

**Connection:** Thread or butt weld  
**Diameters size:** 1/2" up to 4"  
**Pressure range:** PN40  
**Temperature range:** Ambience -20°C up to +80°C  
 medium -20°C up to +120°C (depending from working pressure)  
**Application:** Chemical-, Refinery industry, Plant engineering etc.  
**Operating method:** Pneumatic, double- or single-acting, open or closed with spring force  
**Air pressure:** 2-10 bar  
**Control medium:** Compressed air or inert gases  
**Pneumatic control:** 3/2- or 5/2- way control valve, direct-mounting or separate

**More information on your inquiry!**

\*\* 20mm type 32 to 100  
 30mm type 115 to 270



Dimensions in mm

G	øLW	L	L1	E	S	T	CH	Antrieb*	H	F	A	B	Kg
1/2"	15	75	75	42,0	15,8	22	27	DA-32	107,0	45	110	45	1,2
								SR-52	132,0	70	140	71	2,1
3/4"	20	80	90	48,5	21,0	27	27	DA-32	113,5	45	110	45	1,4
								SR-52	138,5	70	140	71	2,3
1"	25	90	100	58,5	26,7	33	41	DA-32	123,5	45	110	45	1,8
								SR-52	148,5	70	140	71	2,7
1 1/4"	32	110	110	63,0	35,1	44	50	DA-52	153,0	70	140	71	2,9
								SR-63	164,0	81	162	81	3,6
1 1/2"	38	120	125	70,3	41,0	50	55	DA-52	160,3	70	140	71	3,7
								SR-75	180,3	97	207	95	5,2
2"	50	140	150	77,7	52,5	61	70	DA-63	178,7	81	162	81	4,4
								SR-85	206,7	109	238	106	8,1
2 1/2"	63,5	185	190	100,0	62,7	76	90	DA-75	217,0	97	207	95	10,8
								SR-85	229,0	109	238	106	12,6
3"	76	205	220	108,0	78,0	92	105	DA-85	237,0	109	238	106	16,8
								SR-100	250,0	122	272	123	19,0
4"	100	240	270	152,0	102,8	115	130	DA-100	294,0	122	272	123	27,4
								SR-115	324,0	142	328	137	32,9

\*Dimensioning: Water 20°C / 6bar, control pressure 6bar. Actuator dimensioning change according to the medium and operating conditions!