



Technical data

Connection: Thread acc. To DIN 2999

Diameters size: 1/4" up to 4"

Pressure range: PN63 (1000WOG)

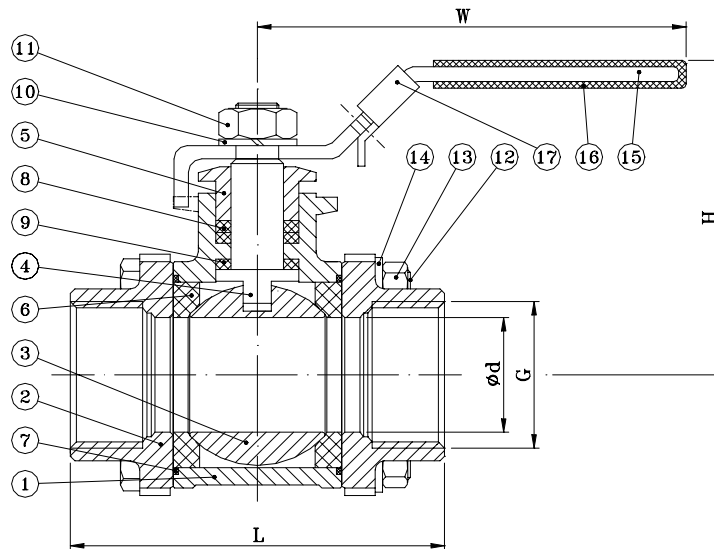
Temperature range: -20°C up to +200°C
(depending from working pressure)

Application: Chemical, Refinery, Shipyard, Plant factory
for media: Water, Oils, Fuels, Compressed air, Solvents etc.

Design features:

- Full bore • Ball seats R-PTFE
- Lock device

 **More information on your inquiry!**



Dimensions in mm

Pos.	Benennung	Description	Materials	Piece
1	Gehäuse	Body	ASTM A351-CF8M	1
2	Einschraubstück	Cap	ASTM A351-CF8M	2
3	Kugel	Ball	ASTM A351-CF8M	1
4	Schaltwelle	Stem	ASTM A276-316	1
5	Stopfbuchsmutter	Gland nut	AISI 304	1
6	Kugeldichtung	Ball seat	R-PTFE	2
7	Gehäusedichtung	Body seal	PTFE	1
8	Schaltwellendichtung (Packung)	Stem Packing	PTFE	1 Set
9	Schaltwellenscheibe	Thrust washer	PTFE	1
10	Federring	Spring lock washer	AISI 304	1
11	Mutter	Nut	AISI 304	1
12	Bolzen	Bolt	AISI 304	1 Set
13	Mutter	Nut	AISI 304	1 Set
14	Federring	Spring lock washer	AISI 304	1 Set
15	Handhebel	Handle	AISI 304	1
16	Handhebelüberzug	Handle sleeve	PVC	1
17	Verriegelung	Locking plate	AISI 304	1

G	DN	Ød	L	H	W	Cv	PN	Kg
1/4"	8	11,6	64,5	54	102	6,6	63	0,41
3/8"	10	12,7	64,5	54	102	7,9	63	0,41
1/2"	15	15	66,0	57	102	11,2	63	0,52
3/4"	20	20	84,0	66	105	21,0	63	0,71
1"	25	25	95,0	76	158,5	34,0	63	1,06
1 1/4"	32	32	111,2	81	158,5	57,0	63	1,71
1 1/2"	40	38	130,0	96	188	80,0	63	2,35
2"	50	50	151,0	106	188	148,0	63	3,55
2 1/2"	65	65	183,0	138	245	265,0	63	8,90
3"	80	80	210,4	154	245	415,0	63	14,30
4"	100	100	234,4	178	320	780,0	63	23,40